

SGPE Series Pure Sine Wave Inverter

300W (without display)



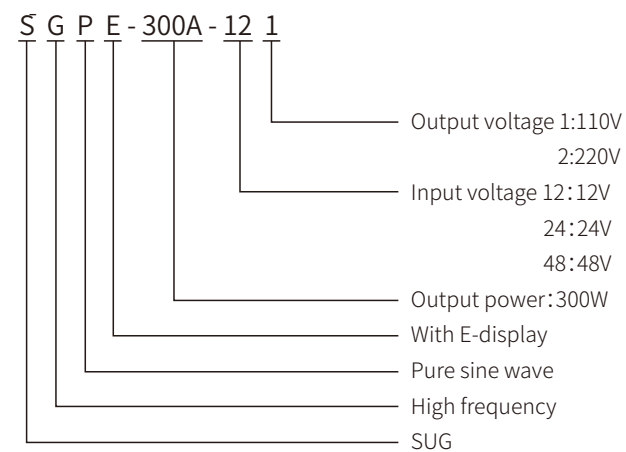
Product Introduction

SGPE is high frequency pure sine wave inverter with E-display, original imported chip and MOSFET, dual ball temp controlled fans, visible data to realize smart, reliable, low noise, high quality output. We design and produce pure copper transformer, inductor by ourselves and meet all customer's demands. It can run all kinds of load stably and the pure sine wave form is better than electricity. At the same time, input and output lines are designed to be completely isolated to protect the system more safer.

Customization/optional Parts

- ⚙️ Input voltage customization: 36V/60V/72V/96V/110V
- ⚙️ RS485
- ⚙️ -40°C-60°C working temp

Model Meaning



Technical Parameter

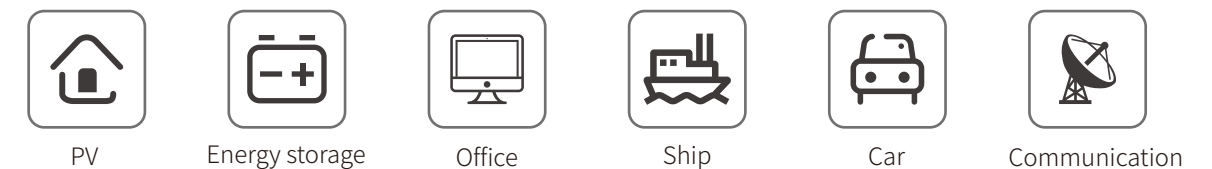
Model	SGPE-300A-121	SGPE-300A-122	SGPE-300A-241	SGPE-300A-242	SGPE-300A-481	SGPE-300A-482
Rated Power	300W					
Surge Power	600W(Few seconds)					
Input Voltage	12VDC		24VDC		48VDC	
Output Voltage	110VAC±5%	220VAC±5%	110VAC±5%	220VAC±5%	110VAC±5%	220VAC±5%
USB Port	5V 0.5A					
Frequency	50Hz±0.5 or 60Hz±0.5					
Output Waveform	Pure Sine Wave					
Soft Start	YES					
AC Regulation	THD<3%(Linear Load)					
Output Efficiency	94% Max					
DC Voltage Range	10-15.5V		20-31V		40-61V	
Low Voltage Alarm	10.5±0.5V		21±0.5V		42±1V	
Low Voltage Shut Down	10±0.5V		20±0.5V		40±1V	
Low Voltage Recovery	13±0.5V		24±0.5V		48±1V	
Over Voltage Shut Down	15.5±0.5V		31±0.5V		61±1V	
Over Voltage Recovery	14.8±0.5V		29±0.5V		59±1V	
Cooling Way	Intelligent Cooling Fan					
Working Temperature	-10°C - +50°C					
Net Dimension	20*11.2*6cm (L×W×H)					
Inner Box Dimension	26.5*15.8*10.5cm(L×W×H)					
Meas./Ctn	54.5*49*32.5cm /18pcs					
N.W./Unit	0.82Kg					
G.W./Ctn	20Kgs					
Packing	Carton					
Warranty	2 Years					

Note: Low voltage and over voltage can customized by lithium battery

Protection

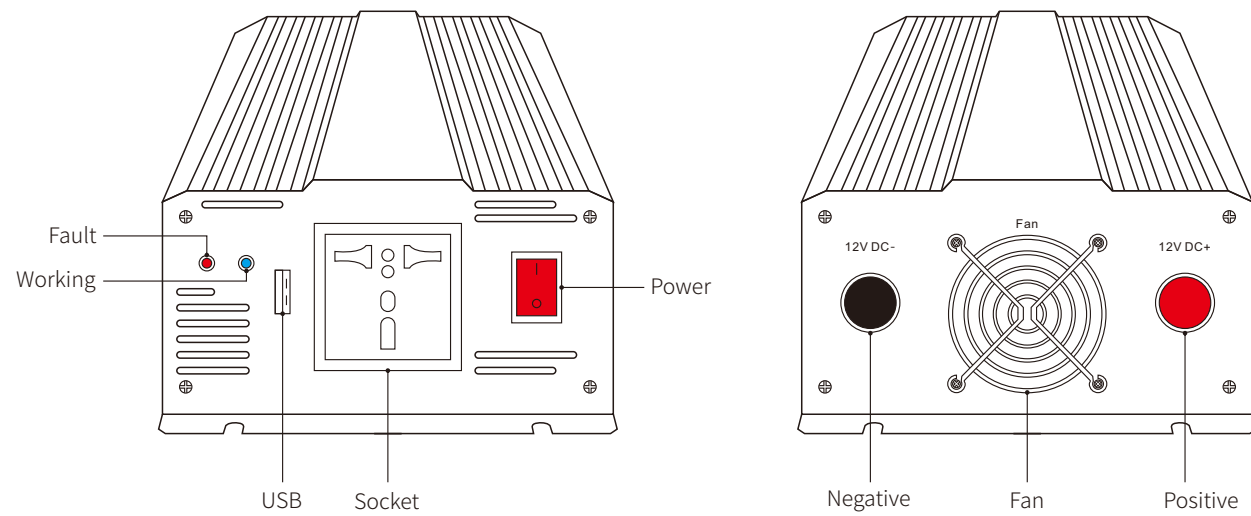


Application Area

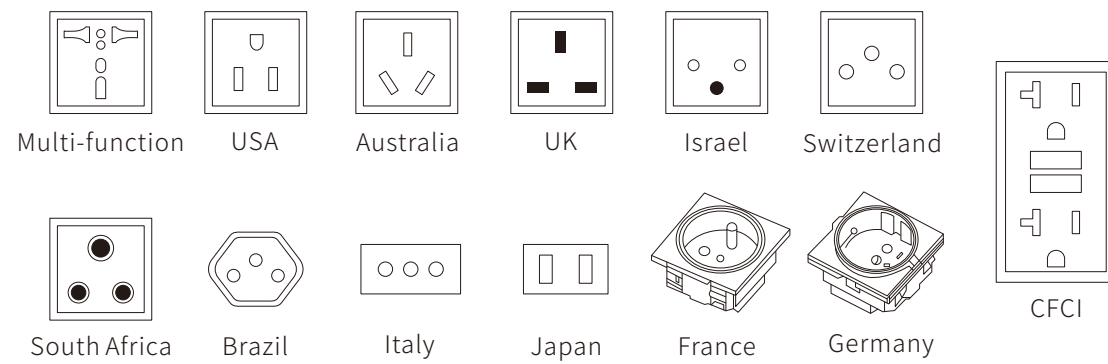


SGPE Series Pure Sine Wave Inverter

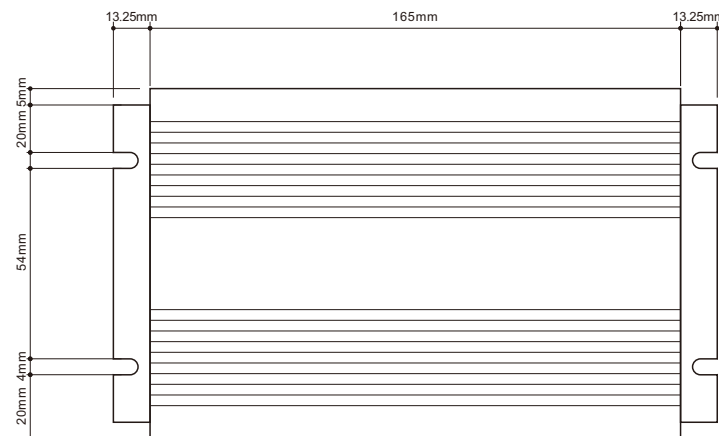
300W (without display)



Socket Customization

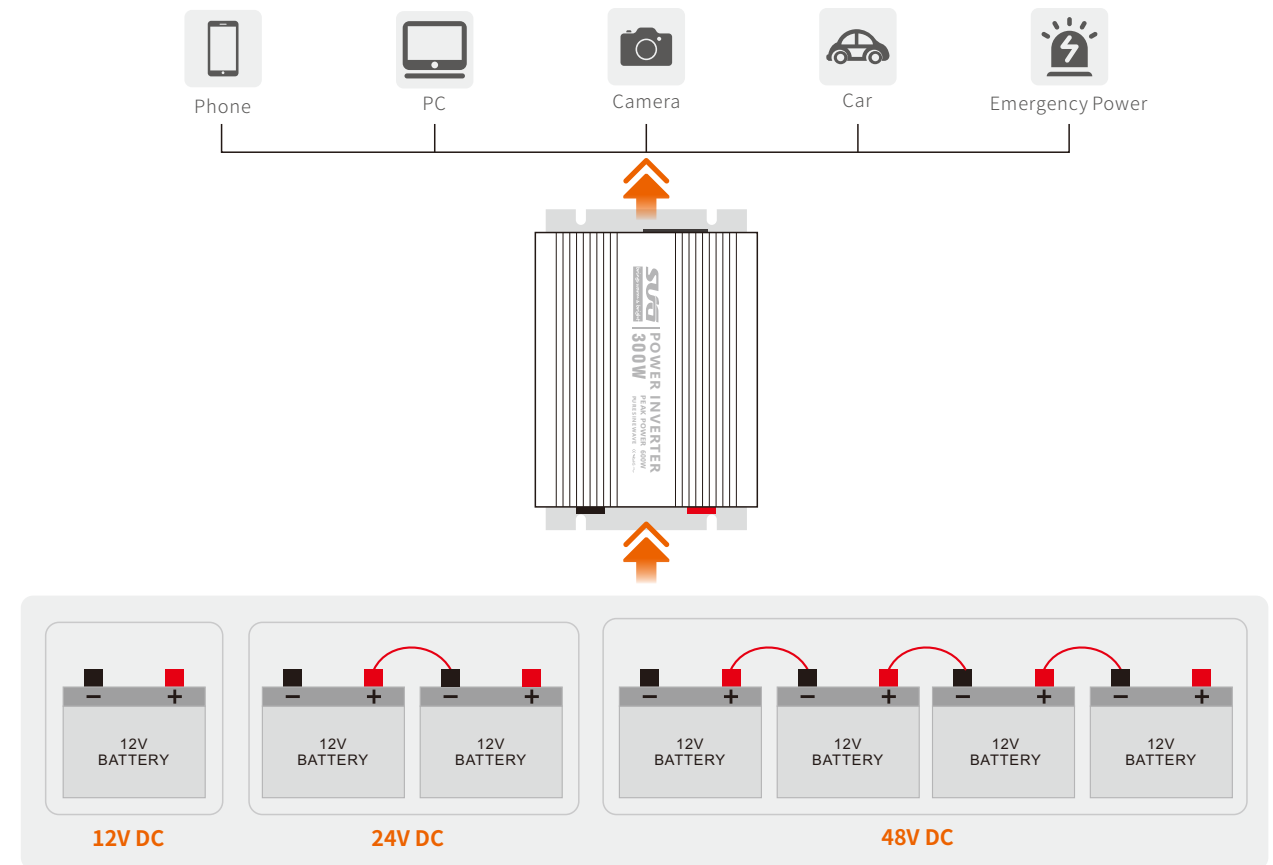


Installation Dimensions



Battery Connection Diagram

- ※ Can connect 12V/24V/48V gel acid battery/lithium battery
- ※ Pay attention to reverse connection



Packaging Accessories



SGPE Series Pure Sine Wave Inverter

500W (without display)



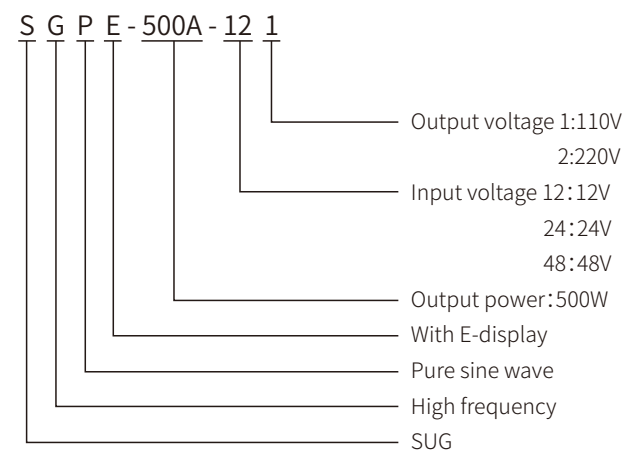
Product Introduction

SGPE is high frequency pure sine wave inverter with E-display, original imported chip and MOSFET, dual ball temp controlled fans, visible data to realize smart, reliable, low noise, high quality output. We design and produce pure copper transformer, inductor by ourselves and meet all customer's demands. It can run all kinds of load stably and the pure sine wave form is better than electricity. At the same time, input and output lines are designed to be completely isolated to protect the system more safer.

Customization/optional Parts

- Input voltage customization: 36V/60V/72V/96V/110V
- RS485
- 40°C-60°C working temp

Model Meaning



Technical Parameter

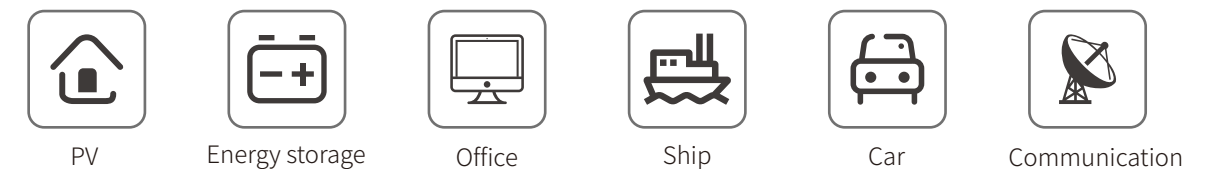
Model	SGPE-500A-121	SGPE-500A-122	SGPE-500A-241	SGPE-500A-242	SGPE-500A-481	SGPE-500A-482
Rated Power	500W					
Surge Power	1000W(Few seconds)					
Input Voltage	12VDC		24VDC		48VDC	
Output Voltage	110VAC±5%	220VAC±5%	110VAC±5%	220VAC±5%	110VAC±5%	220VAC±5%
USB Port	5V 0.5A					
Frequency	50Hz±0.5 or 60Hz±0.5					
Output Waveform	Pure Sine Wave					
Soft Start	YES					
AC Regulation	THD<3%(Linear Load)					
Output Efficiency	94% Max					
DC Voltage Range	10-15.5V		20-31V		40-61V	
Low Voltage Alarm	10.5±0.5V		21±0.5V		42±1V	
Low Voltage Shut Down	10±0.5V		20±0.5V		40±1V	
Low Voltage Recovery	13±0.5V		24±0.5V		48±1V	
Over Voltage Shut Down	15.5±0.5V		31±0.5V		61±1V	
Over Voltage Recovery	14.8±0.5V		29±0.5V		59±1V	
Cooling Way	Intelligent Cooling Fan					
Working Temperature	-10°C - +50°C					
Net Dimension	21*11.3*5.5 cm (L×W×H)					
Inner Box Dimension	31.5*14.7*10.2cm(L×W×H)					
Meas./Ctn	76*32.5*32.5/15pcs					
N.W./Unit	1.17Kg					
G.W./Ctn	21.5Kgs					
Packing	Carton					
Warranty	2 Years					

Note: Low voltage and over voltage can customized by lithium battery

Protection

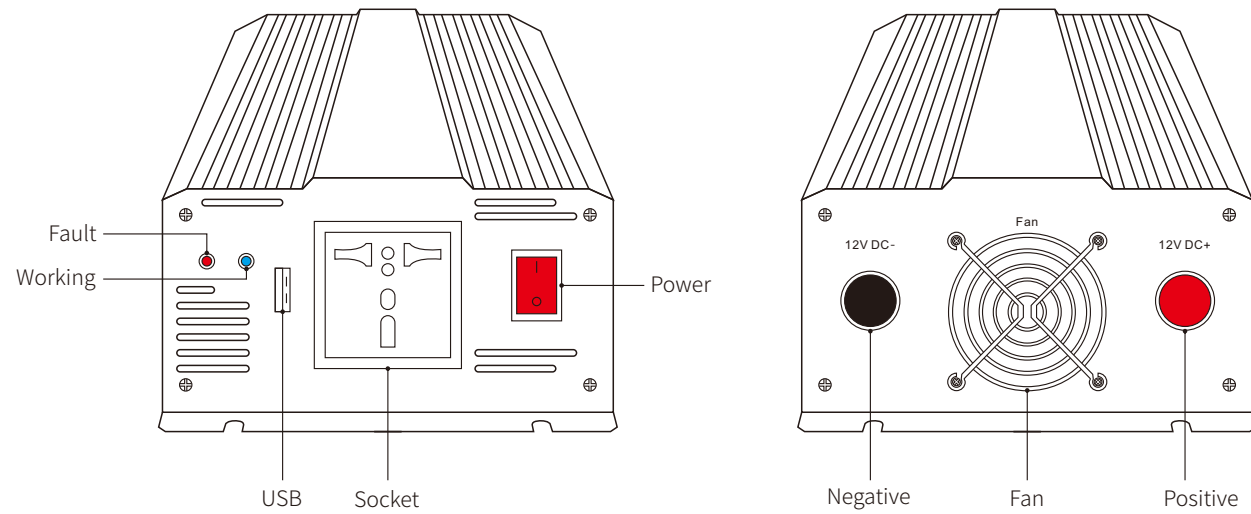


Application Area

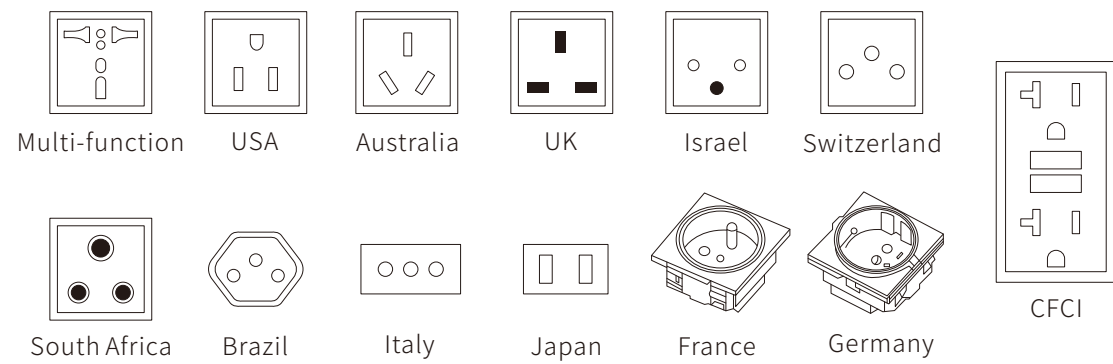


SGPE Series Pure Sine Wave Inverter

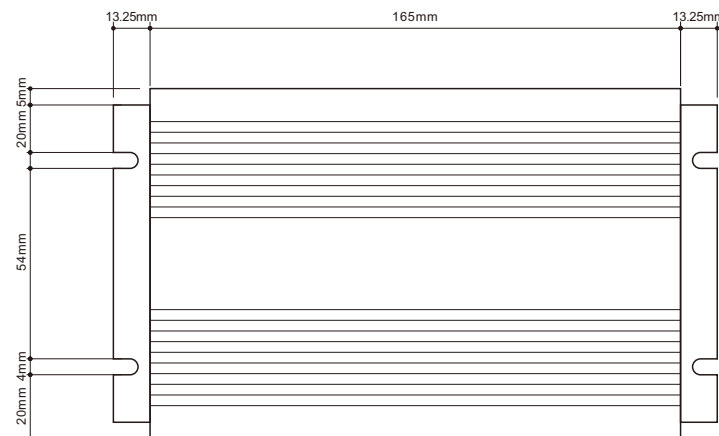
500W (without display)



Socket Customization

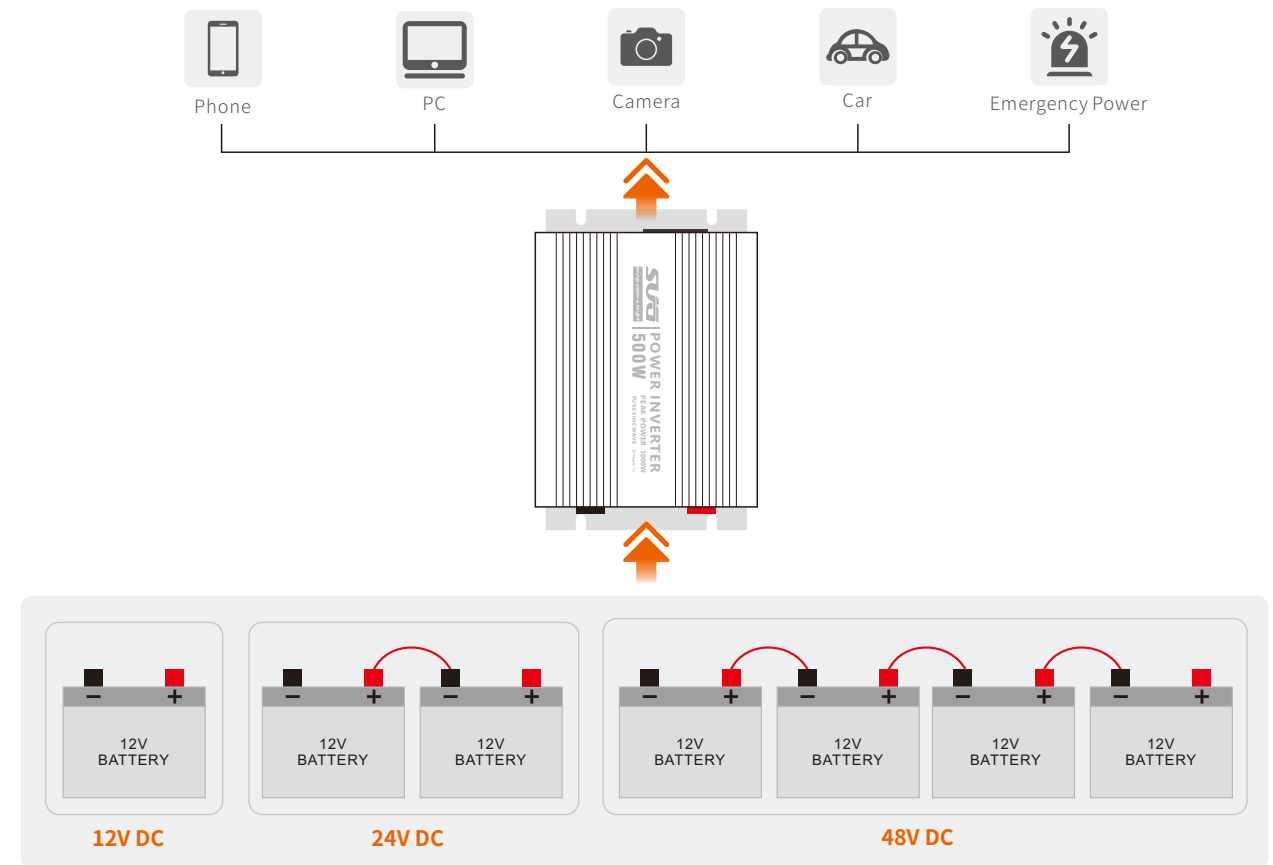


Installation Dimensions



Battery Connection Diagram

- ※ Can connect 12V/24V/48V gel acid battery/lithium battery
- ※ Pay attention to reverse connection



Packaging Accessories



SGPE Series Pure Sine Wave Inverter

600W



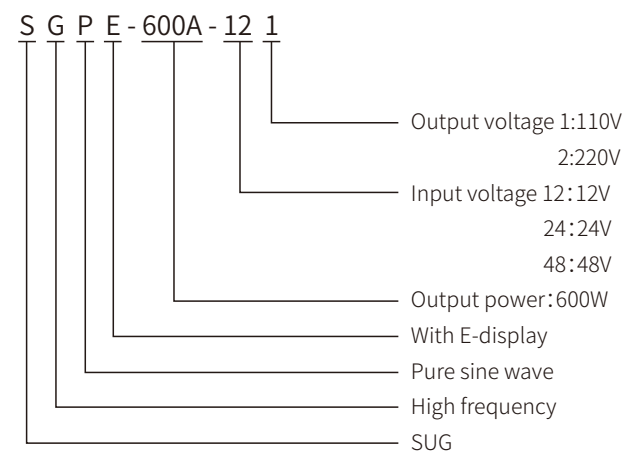
Product Introduction

SGPE is high frequency pure sine wave inverter with E-display, original imported chip and MOSFET, dual ball temp controlled fans, visible data to realize smart, reliable, low noise, high quality output. We design and produce pure copper transformer, inductor by ourselves and meet all customer's demands. It can run all kinds of load stably and the pure sine wave form is better than electricity. At the same time, input and output lines are designed to be completely isolated to protect the system more safer.

Customization/optional Parts

- Input voltage customization: 36V/60V/72V/96V/110V
- Frequency switch 50Hz/60Hz
- RS485
- 40°C-60°C working temp
- E-Display
- Wireless WiFi/Wire remote switch

Model Meaning



Technical Parameter

Model	SGPE-600A-121	SGPE-600A-122	SGPE-600A-241	SGPE-600A-242	SGPE-600A-481	SGPE-600A-482
Rated Power	600W					
Surge Power	1200W(Few seconds)					
Input Voltage	12VDC		24VDC		48VDC	
Output Voltage	110VAC±5%	220VAC±5%	110VAC±5%	220VAC±5%	110VAC±5%	220VAC±5%
USB Port	5V 2.4A					
Frequency	50Hz±0.5 or 60Hz±0.5					
Output Waveform	Pure Sine Wave					
Soft Start	YES					
AC Regulation	THD<3%(Linear Load)					
Output Efficiency	94% Max					
DC Voltage Range	10-15.5V		20-31V		40-61V	
Low Voltage Alarm	10.5±0.5V		21±0.5V		42±1V	
Low Voltage Shut Down	10±0.5V		20±0.5V		40±1V	
Low Voltage Recovery	13±0.5V		24±0.5V		48±1V	
Over Voltage Shut Down	15.5±0.5V		31±0.5V		61±1V	
Over Voltage Recovery	14.8±0.5V		29±0.5V		59±1V	
Cooling Way	Intelligent Cooling Fan					
Working Temperature	-10°C - +50°C					
Net Dimension	21.5*15*7.8cm (L×W×H)					
Inner Box Dimension	26.5*22*14.8cm (L×W×H)					
Meas./Ctn	76*45*28cm /10pcs					
N.W./Unit	2.1Kg					
G.W./Ctn	22.34Kgs					
Packing	Carton					
Warranty	2 Years					

Note: Low voltage and over voltage can customized by lithium battery

E Model Display

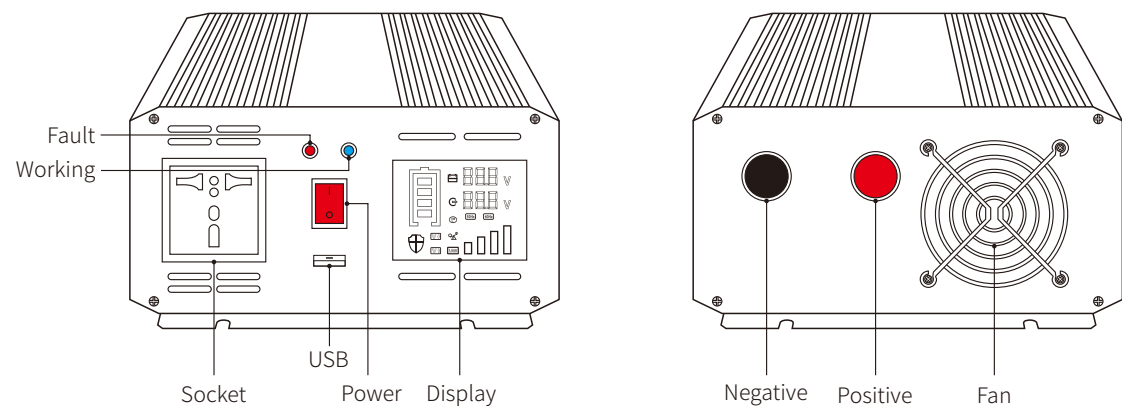
- Power On
- Battery Connected
- Battery Level
- Battery Voltage & AC Output Voltage
- Frequency
- Output Load Percent
- Normal Working
- Under Protection
- Low Voltage Protection
- Over Voltage Protection
- Overload Protection
- Over Temperature Protection

Working Mode

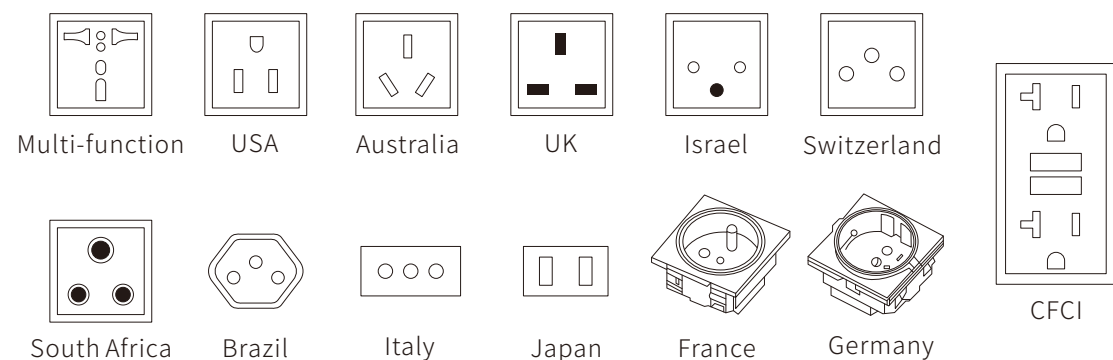
- Normal Working
- Low-volt Protection
- High-volt Protection
- Overload Protection
- High-Temp Protection

SGPE Series Pure Sine Wave Inverter

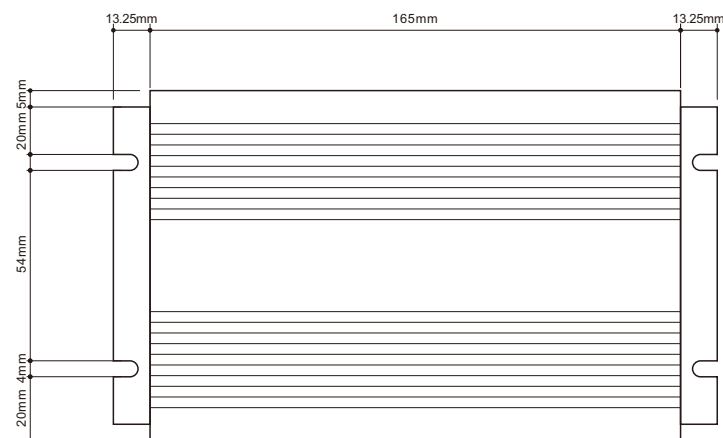
600W



Socket Customization

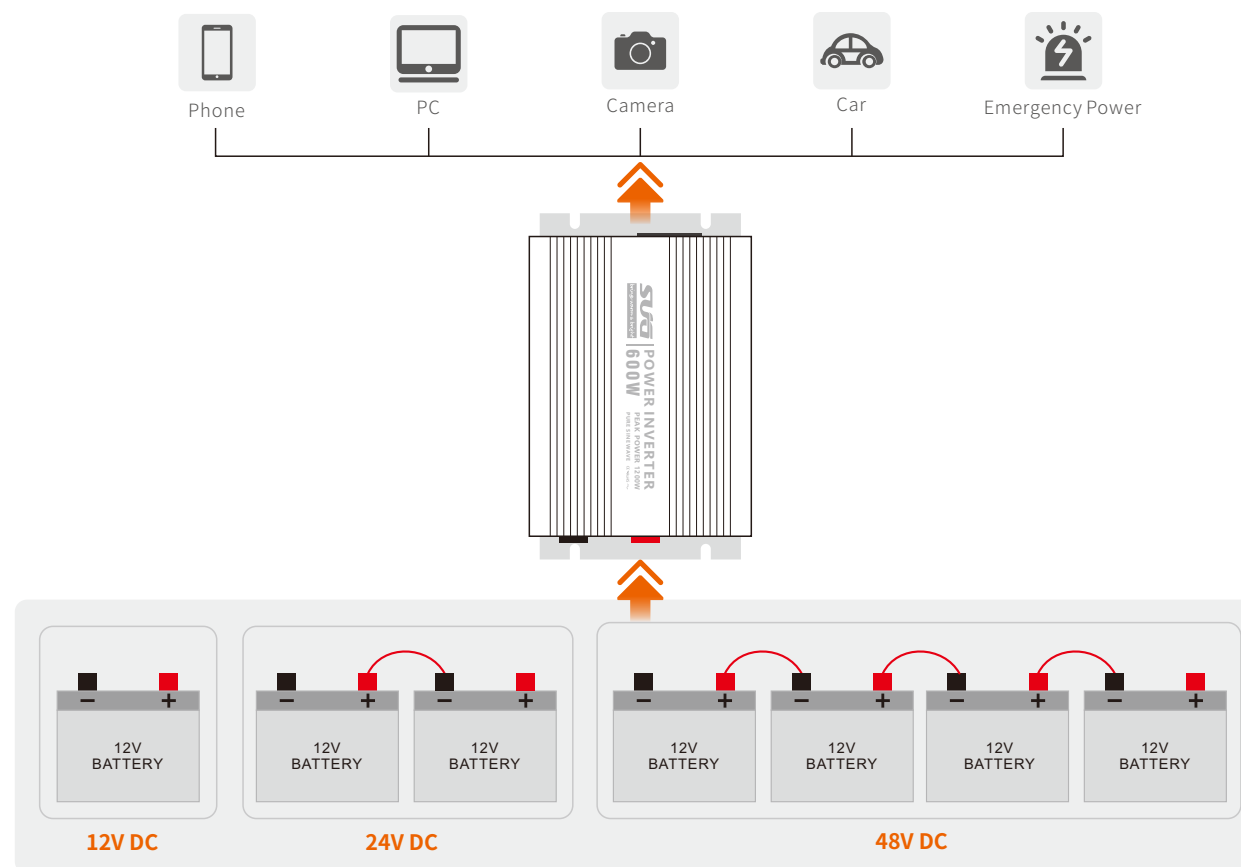


Installation Dimensions



Battery Connection Diagram

- ※ Can connect 12V/24V/48V gel acid battery/lithium battery
- ※ Pay attention to reverse connection



Packaging Accessories



SGPE Series Pure Sine Wave Inverter

1000W



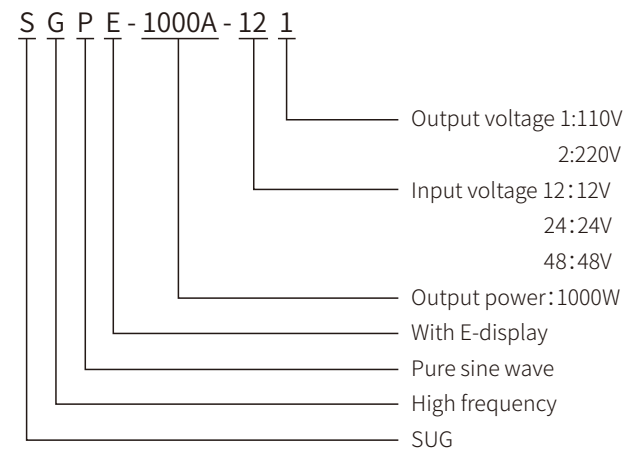
Product Introduction

SGPE is high frequency pure sine wave inverter with E-display, original imported chip and MOSFET, dual ball temp controlled fans, visible data to realize smart, reliable, low noise, high quality output. We design and produce pure copper transformer, inductor by ourselves and meet all customer's demands. It can run all kinds of load stably and the pure sine wave form is better than electricity. At the same time, input and output lines are designed to be completely isolated to protect the system more safer.

Customization/optional Parts

- Input voltage customization: 36V/60V/72V/96V/110V
- Frequency switch 50Hz/60Hz
- RS485
- 40°C-60°C working temp
- E-Display
- Wireless WiFi/Wire remote switch

Model Meaning



Technical Parameter

Model	SGPE-1000A-121	SGPE-1000A-122	SGPE-1000A-241	SGPE-1000A-242	SGPE-1000A-481	SGPE-1000A-482
Rated Power	1000W					
Surge Power	2000W(Few seconds)					
Input Voltage	12VDC		24VDC		48VDC	
Output Voltage	110VAC±5%	220VAC±5%	110VAC±5%	220VAC±5%	110VAC±5%	220VAC±5%
USB Port	5V 2.4A					
Frequency	50Hz±0.5 or 60Hz±0.5					
Output Waveform	Pure Sine Wave					
Soft Start	YES					
AC Regulation	THD<3%(Linear Load)					
Output Efficiency	94% Max					
DC Voltage Range	10-15.5V		20-31V		40-61V	
Low Voltage Alarm	10.5±0.5V		21±0.5V		42±1V	
Low Voltage Shut Down	10±0.5V		20±0.5V		40±1V	
Low Voltage Recovery	13±0.5V		24±0.5V		48±1V	
Over Voltage Shut Down	15.5±0.5V		31±0.5V		61±1V	
Over Voltage Recovery	14.8±0.5V		29±0.5V		59±1V	
Cooling Way	Intelligent Cooling Fan					
Working Temperature	-10°C - +50°C					
Net Dimension	27.8*17*10.5cm (L×W×H)					
Inner Box Dimension	39*23.3*17.5cm (L×W×H)					
Meas./Ctn	53.5*47*40.7cm /6pcs					
N.W./Unit	2.74Kg					
G.W./Ctn	20.52Kgs					
Packing	Carton					
Warranty	2 Years					

Note: Low voltage and over voltage can customized by lithium battery

E Model Display

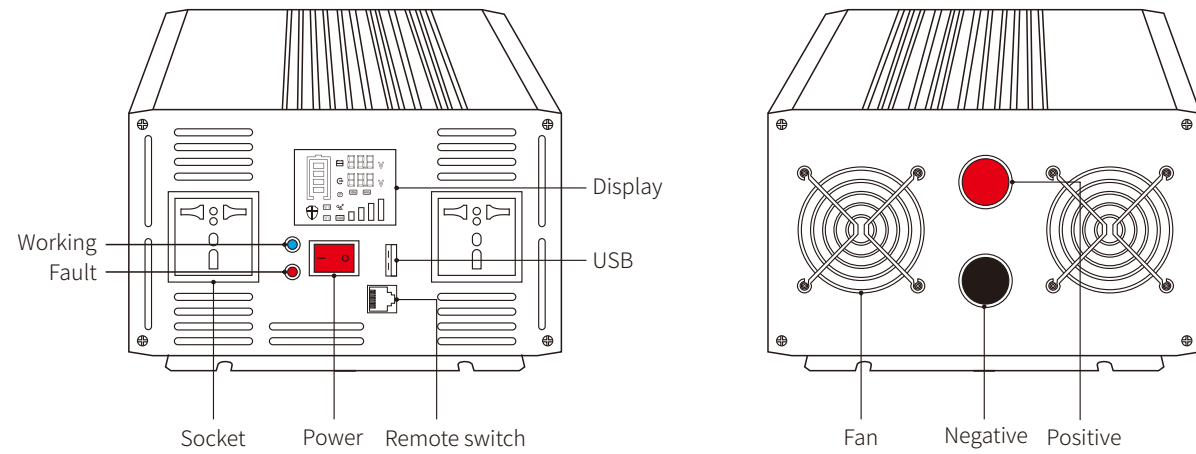
- Power On
- Battery Connected
- Battery Level
- Battery Voltage & AC Output Voltage
- Frequency
- Output Load Percent
- Normal Working
- Under Protection
- Low Voltage Protection
- Over Voltage Protection
- Overload Protection
- Over Temperature Protection

Working Mode

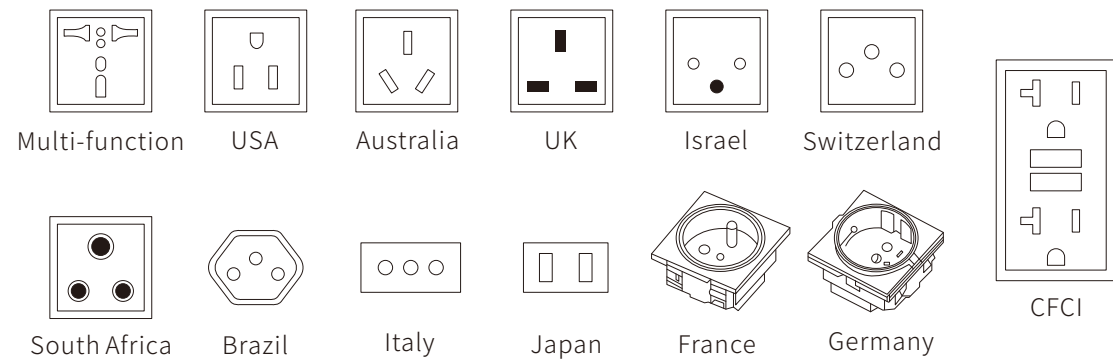
- Normal Working
- Low-volt Protection
- High-volt Protection
- Overload Protection
- High-Temp Protection

SGPE Series Pure Sine Wave Inverter

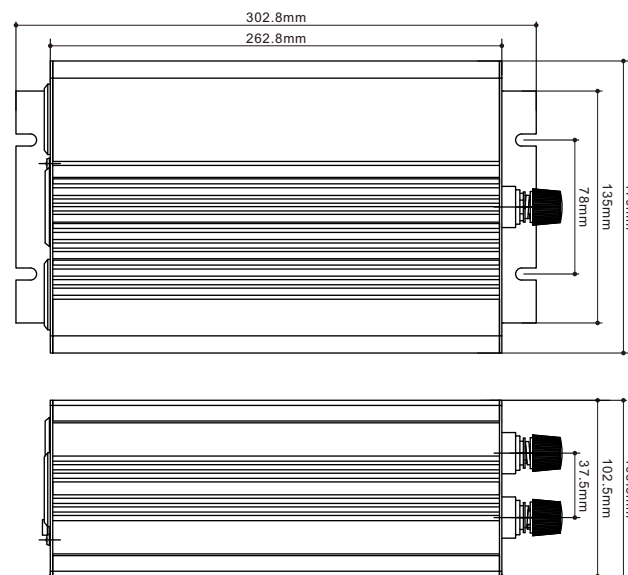
1000W



Socket Customization

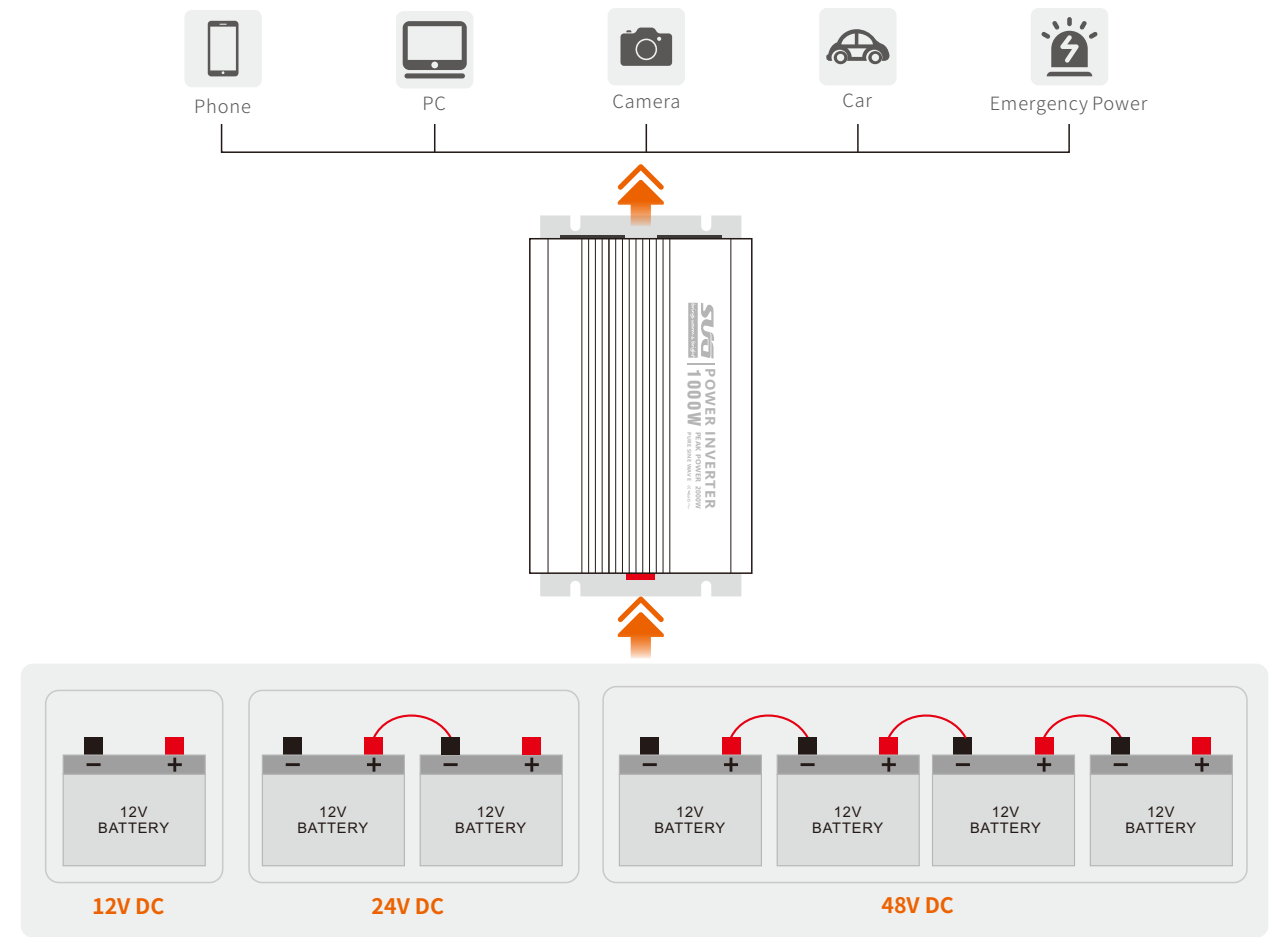


Installation Dimensions



Battery Connection Diagram

- ※ Can connect 12V/24V/48V gel acid battery/lithium battery
- ※ Pay attention to reverse connection



Packaging Accessories



SGPE Series Pure Sine Wave Inverter

1500W



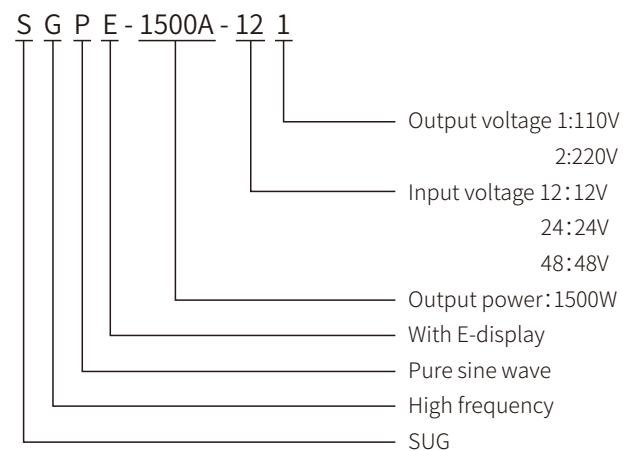
Product Introduction

SGPE is high frequency pure sine wave inverter with E-display, original imported chip and MOSFET, dual ball temp controlled fans, visible data to realize smart, reliable, low noise, high quality output. We design and produce pure copper transformer, inductor by ourselves and meet all customer's demands. It can run all kinds of load stably and the pure sine wave form is better than electricity. At the same time, input and output lines are designed to be completely isolated to protect the system more safer.

Customization/optional Parts

- Input voltage customization: 36V/60V/72V/96V/110V
- Frequency switch 50Hz/60Hz
- RS485
- 40°C-60°C working temp
- E-Display
- Wireless WiFi/Wire remote switch

Model Meaning

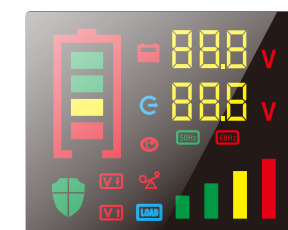


Technical Parameter

Model	SGPE-1500A-121	SGPE-1500A-122	SGPE-1500A-241	SGPE-1500A-242	SGPE-1500A-481	SGPE-1500A-482
Rated Power	1500W					
Surge Power	3000W(Few seconds)					
Input Voltage	12VDC		24VDC		48VDC	
Output Voltage	110VAC±5%	220VAC±5%	110VAC±5%	220VAC±5%	110VAC±5%	220VAC±5%
USB Port	5V 2.4A					
Frequency	50Hz±0.5 or 60Hz±0.5					
Output Waveform	Pure Sine Wave					
Soft Start	YES					
AC Regulation	THD<3%(Linear Load)					
Output Efficiency	94% Max					
DC Voltage Range	10-15.5V		20-31V		40-61V	
Low Voltage Alarm	10.5±0.5V		21±0.5V		42±1V	
Low Voltage Shut Down	10±0.5V		20±0.5V		40±1V	
Low Voltage Recovery	13±0.5V		24±0.5V		48±1V	
Over Voltage Shut Down	15.5±0.5V		31±0.5V		61±1V	
Over Voltage Recovery	14.8±0.5V		29±0.5V		59±1V	
Cooling Way	Intelligent Cooling Fan					
Working Temperature	-10°C - +50°C					
Net Dimension	27.8*17*10.5cm (L×W×H)					
Inner Box Dimension	46*23.3*17.5(L×W×H)					
Meas./Ctn	53.5*47*40.7cm /6pcs					
N.W./Unit	2.74Kg					
G.W./Ctn	20.52Kgs					
Packing	Carton					
Warranty	2 Years					

Note: Low voltage and over voltage can customized by lithium battery

E Model Display



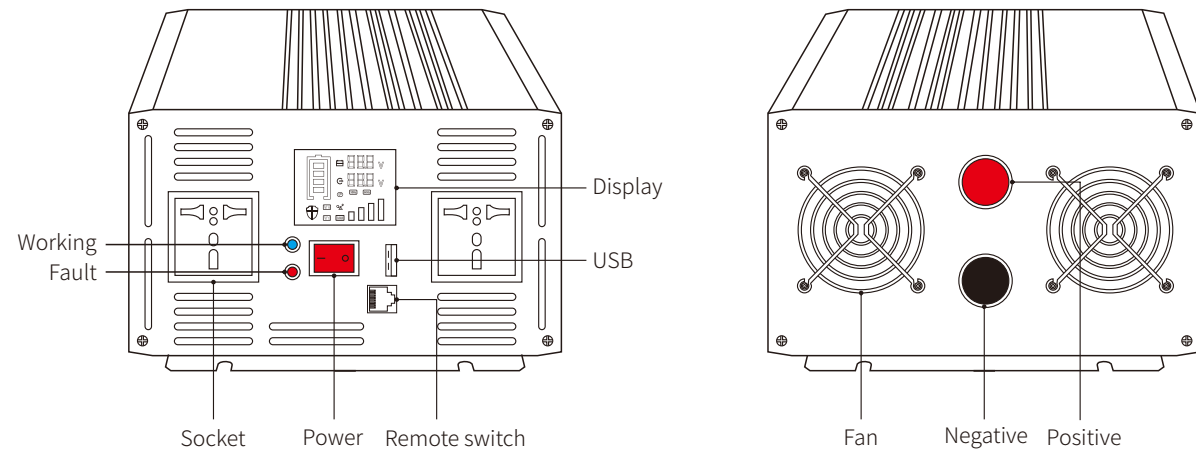
- Power On
- Battery Connected
- Battery Level
- Battery Voltage & AC Output Voltage
- Frequency
- Output Load Percent
- Normal Working
- Under Protection
- Low Voltage Protection
- Over Voltage Protection
- Overload Protection
- Over Temperature Protection

Working Mode

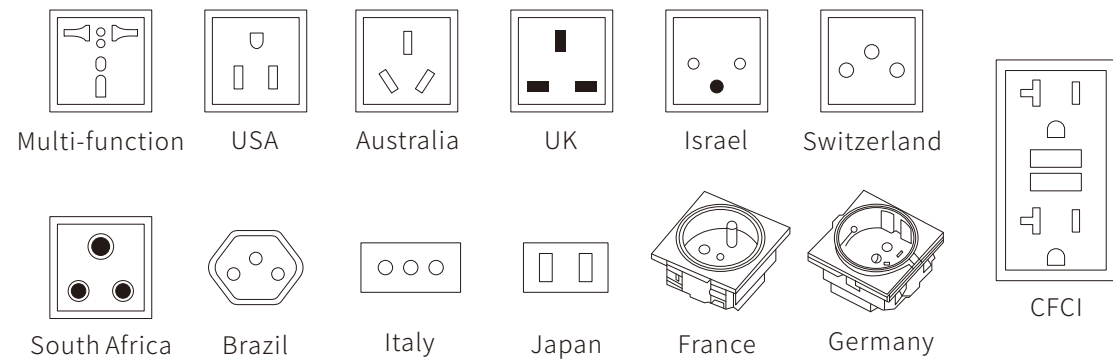


SGPE Series Pure Sine Wave Inverter

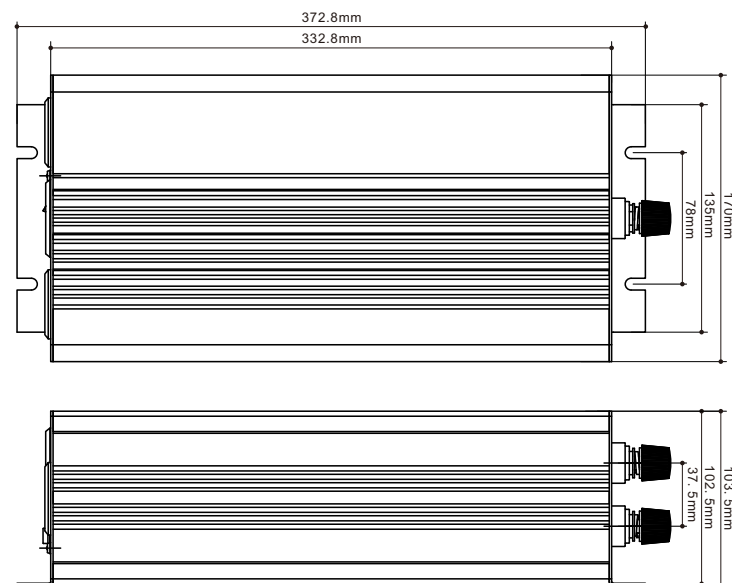
1500W



Socket Customization

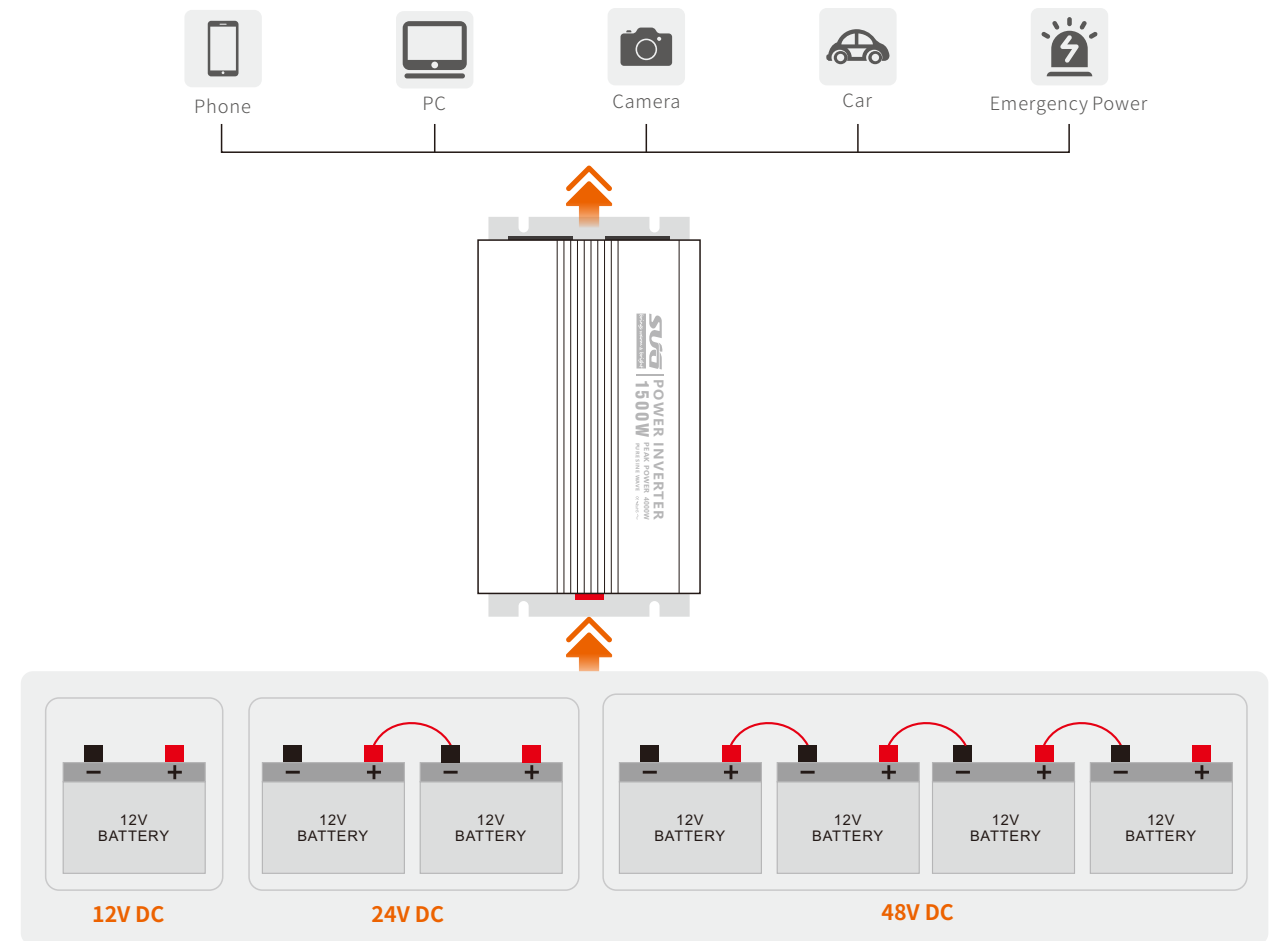


Installation Dimensions



Battery Connection Diagram

- ※ Can connect 12V/24V/48V gel acid battery/lithium battery
- ※ Pay attention to reverse connection



Packaging Accessories



SGPE Series Pure Sine Wave Inverter

2000W



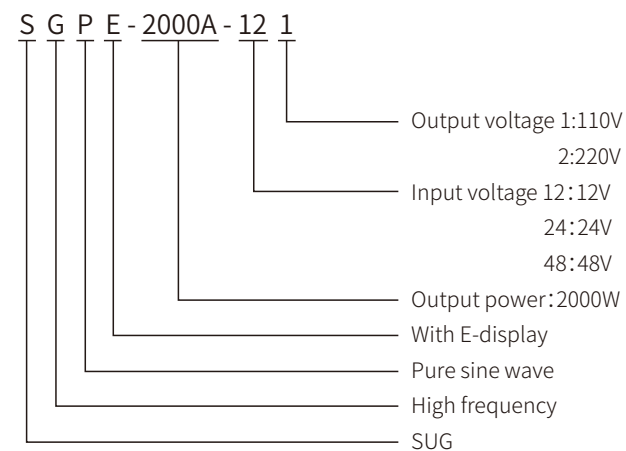
Product Introduction

SGPE is high frequency pure sine wave inverter with E-display, original imported chip and MOSFET, dual ball temp controlled fans, visible data to realize smart, reliable, low noise, high quality output. We design and produce pure copper transformer, inductor by ourselves and meet all customer's demands. It can run all kinds of load stably and the pure sine wave form is better than electricity. At the same time, input and output lines are designed to be completely isolated to protect the system more safer.

Customization/optional Parts

- Input voltage customization: 36V/60V/72V/96V/110V
- Frequency switch 50Hz/60Hz
- RS485
- 40°C-60°C working temp
- E-Display
- Wireless WiFi/Wire remote switch

Model Meaning



Technical Parameter

Model	SGPE-2000A-121	SGPE-2000A-122	SGPE-2000A-241	SGPE-2000A-242	SGPE-2000A-481	SGPE-2000A-482
Rated Power	2000W					
Surge Power	4000W(Few seconds)					
Input Voltage	12VDC		24VDC		48VDC	
Output Voltage	110VAC±5%	220VAC±5%	110VAC±5%	220VAC±5%	110VAC±5%	220VAC±5%
USB Port	5V 2.4A					
Frequency	50Hz±0.5 or 60Hz±0.5					
Output Waveform	Pure Sine Wave					
Soft Start	YES					
AC Regulation	THD<3%(Linear Load)					
Output Efficiency	94% Max					
DC Voltage Range	10-15.5V		20-31V		40-61V	
Low Voltage Alarm	10.5±0.5V		21±0.5V		42±1V	
Low Voltage Shut Down	10±0.5V		20±0.5V		40±1V	
Low Voltage Recovery	13±0.5V		24±0.5V		48±1V	
Over Voltage Shut Down	15.5±0.5V		31±0.5V		61±1V	
Over Voltage Recovery	14.8±0.5V		29±0.5V		59±1V	
Cooling Way	Intelligent Cooling Fan					
Working Temperature	-10°C - +50°C					
Net Dimension	38.1*17*10.5cm (L×W×H)					
Inner Box Dimension	46*23.3*17.5cm (L×W×H)					
Meas./Ctn	47.5*47*36.5cm /4pcs					
N.W./Unit	4.02kg					
G.W./Ctn	20.16kgs					
Packing	Carton					
Warranty	2 Years					

Note:Low voltage and over voltage can customized by lithium battery

E Model Display

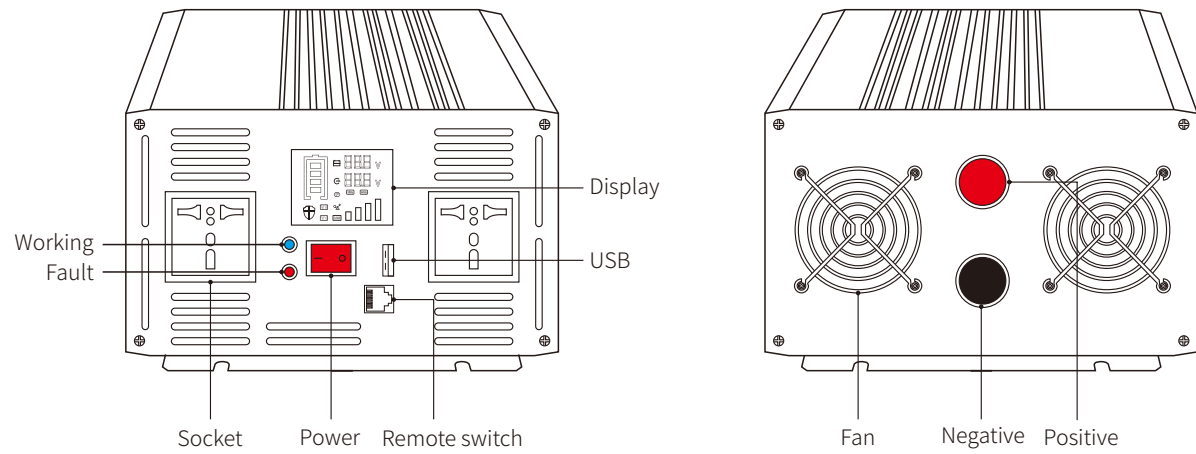
- Power On
- Battery Connected
- Battery Level
- Battery Voltage & AC Output Voltage
- Frequency
- Output Load Percent
- Normal Working
- Under Protection
- Low Voltage Protection
- Over Voltage Protection
- Overload Protection
- Over Temperature Protection

Working Mode

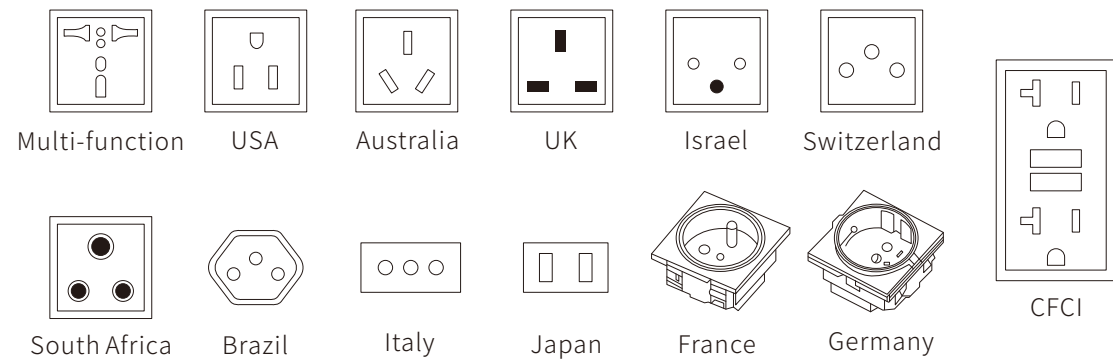
- Normal Working
- Low-volt Protection
- High-volt Protection
- Overload Protection
- High-Temp Protection

SGPE Series Pure Sine Wave Inverter

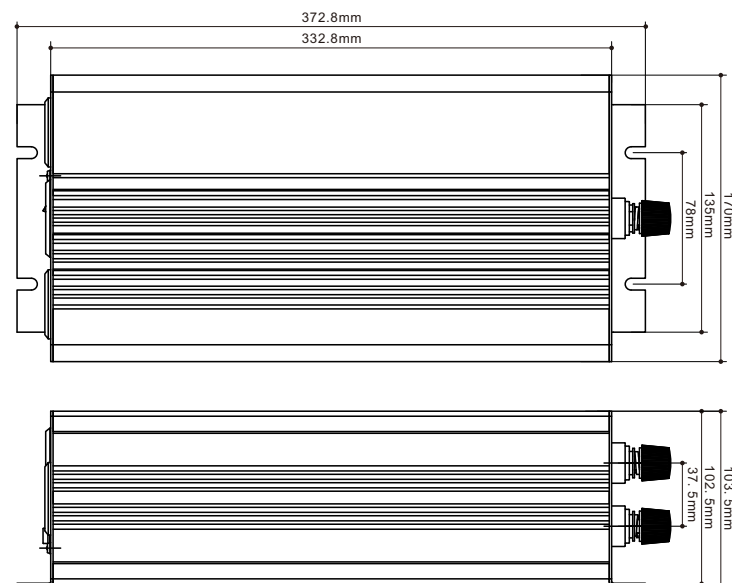
2000W



Socket Customization

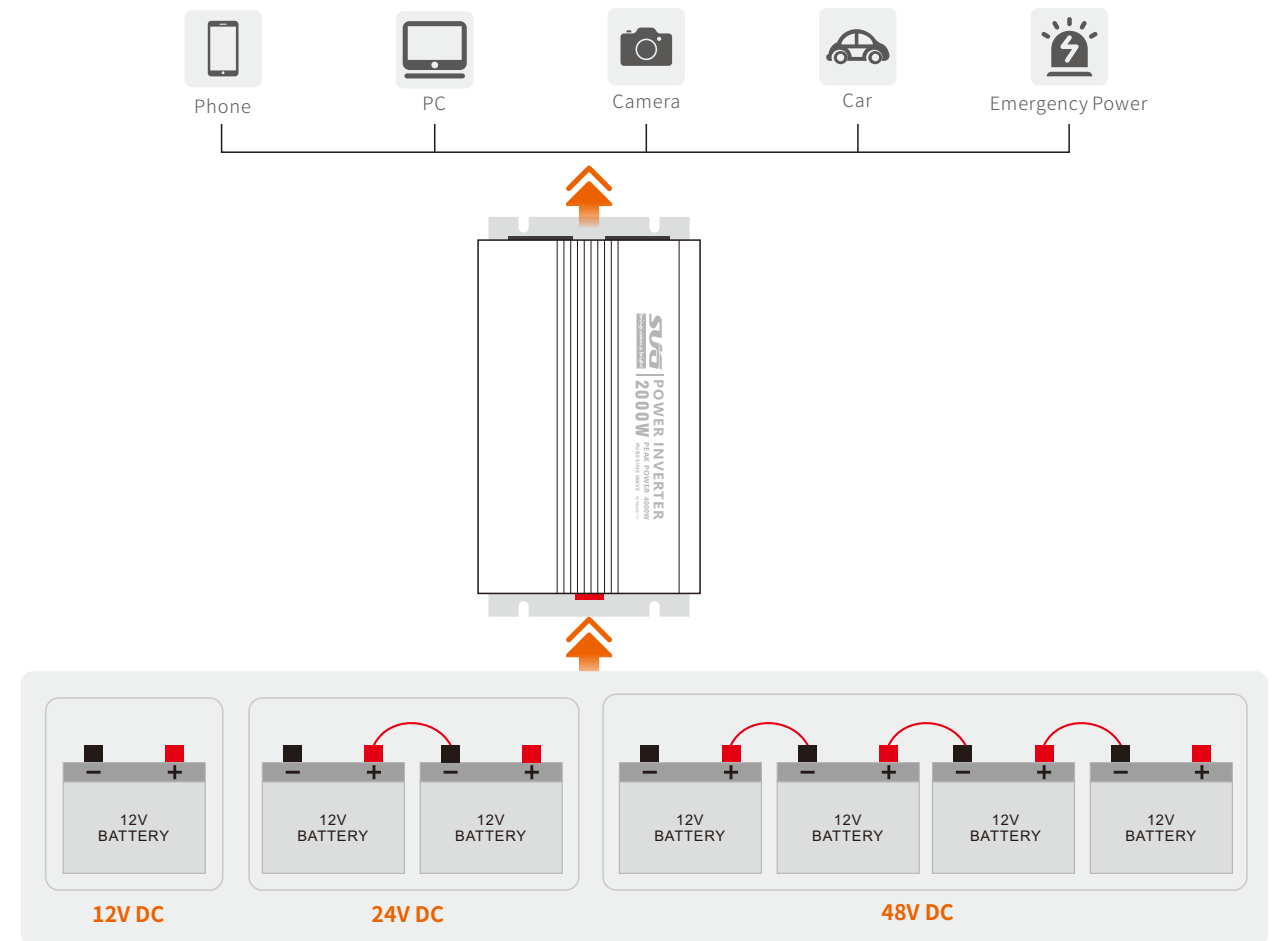


Installation Dimensions



Battery Connection Diagram

- ※ Can connect 12V/24V/48V gel acid battery/lithium battery
- ※ Pay attention to reverse connection



Packaging Accessories



SGPE Series Pure Sine Wave Inverter

2500W



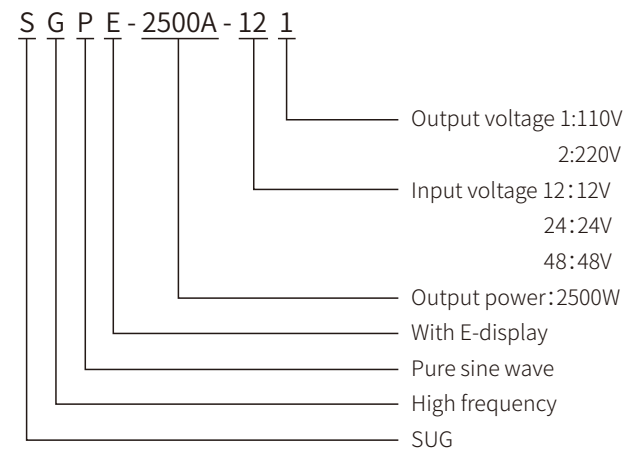
Product Introduction

SGPE is high frequency pure sine wave inverter with E-display, original imported chip and MOSFET, dual ball temp controlled fans, visible data to realize smart, reliable, low noise, high quality output. We design and produce pure copper transformer, inductor by ourselves and meet all customer's demands. It can run all kinds of load stably and the pure sine wave form is better than electricity. At the same time, input and output lines are designed to be completely isolated to protect the system more safer.

Customization/optional Parts

- Input voltage customization: 36V/60V/72V/96V/110V
- Frequency switch 50Hz/60Hz
- RS485
- 40°C-60°C working temp
- E-Display
- Wireless WiFi/Wire remote switch

Model Meaning

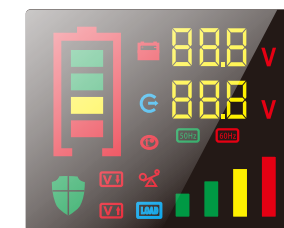


Technical Parameter

Model	SGPE-2000A-121	SGPE-2000A-122	SGPE-2000A-241	SGPE-2000A-242	SGPE-2000A-481	SGPE-2000A-482
Rated Power	2000W					
Surge Power	4000W(Few seconds)					
Input Voltage	12VDC		24VDC		48VDC	
Output Voltage	110VAC±5%	220VAC±5%	110VAC±5%	220VAC±5%	110VAC±5%	220VAC±5%
USB Port	5V 2.4A					
Frequency	50Hz±0.5 or 60Hz±0.5					
Output Waveform	Pure Sine Wave					
Soft Start	YES					
AC Regulation	THD<3%(Linear Load)					
Output Efficiency	94% Max					
DC Voltage Range	10-15.5V		20-31V		40-61V	
Low Voltage Alarm	10.5±0.5V		21±0.5V		42±1V	
Low Voltage Shut Down	10±0.5V		20±0.5V		40±1V	
Low Voltage Recovery	13±0.5V		24±0.5V		48±1V	
Over Voltage Shut Down	15.5±0.5V		31±0.5V		61±1V	
Over Voltage Recovery	14.8±0.5V		29±0.5V		59±1V	
Cooling Way	Intelligent Cooling Fan					
Working Temperature	-10°C - +50°C					
Net Dimension	44*17*10.5cm (L×W×H)					
Inner Box Dimension	51.5*23.3*17.5cm (L×W×H)					
Meas./Ctn	51.5*23.3*17.5cm /4pcs					
N.W./Unit	4.76kg					
G.W./Ctn	22.52kgs					
Packing	Carton					
Warranty	2 Years					

Note: Low voltage and over voltage can customized by lithium battery

E Model Display



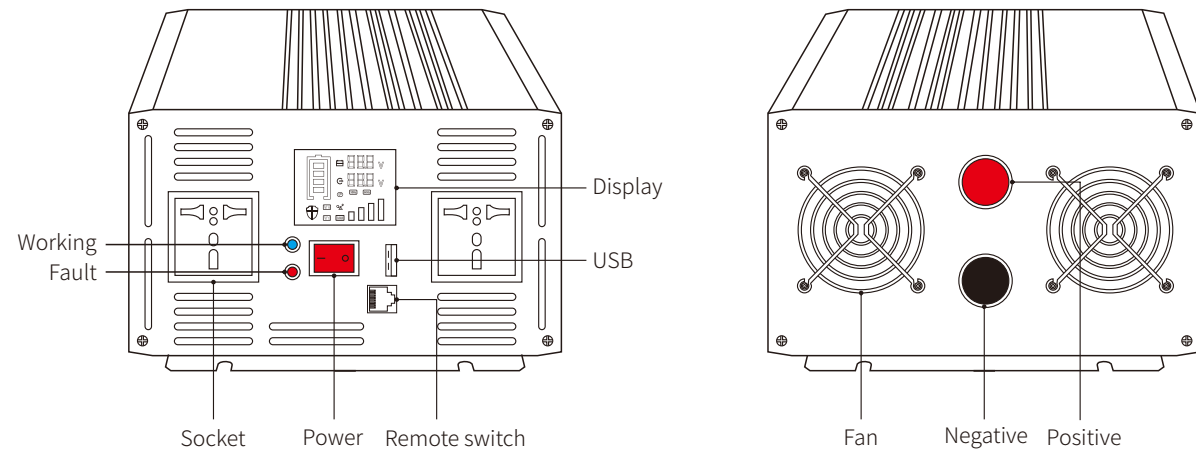
- Power On
- Battery Connected
- Battery Level
- Battery Voltage & AC Output Voltage
- Frequency
- Output Load Percent
- Normal Working
- Under Protection
- Low Voltage Protection
- Over Voltage Protection
- Overload Protection
- Over Temperature Protection

Working Mode

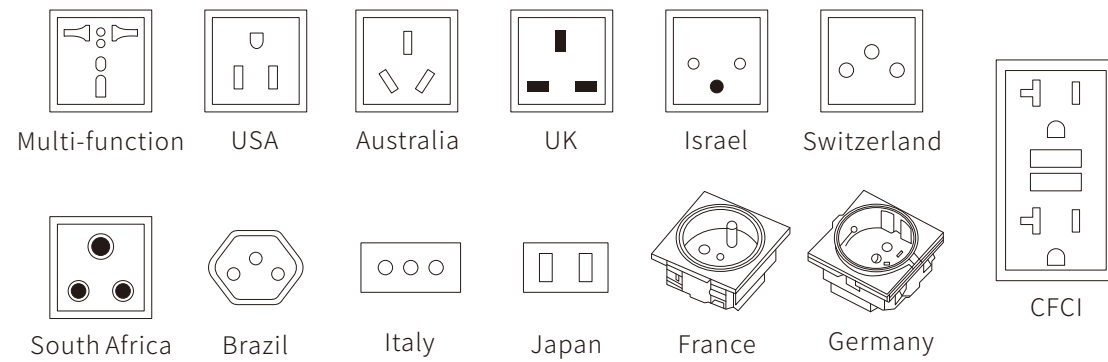


SGPE Series Pure Sine Wave Inverter

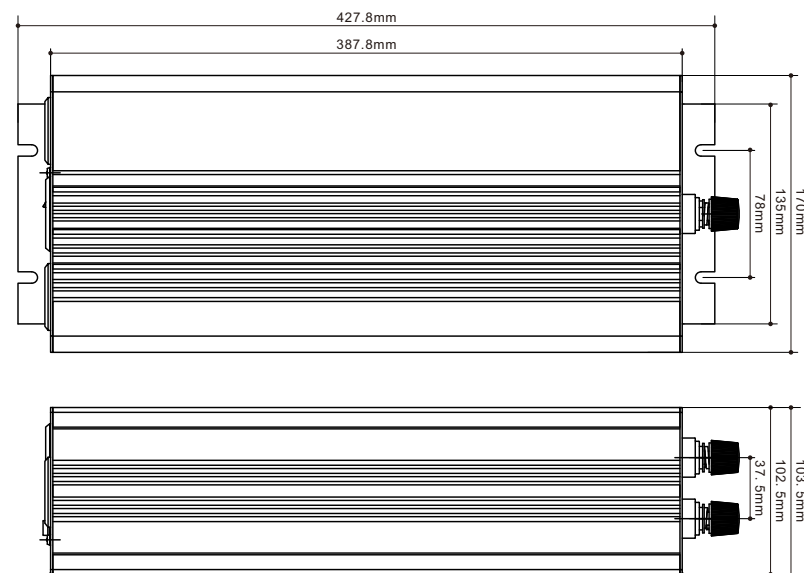
2500W



Socket Customization

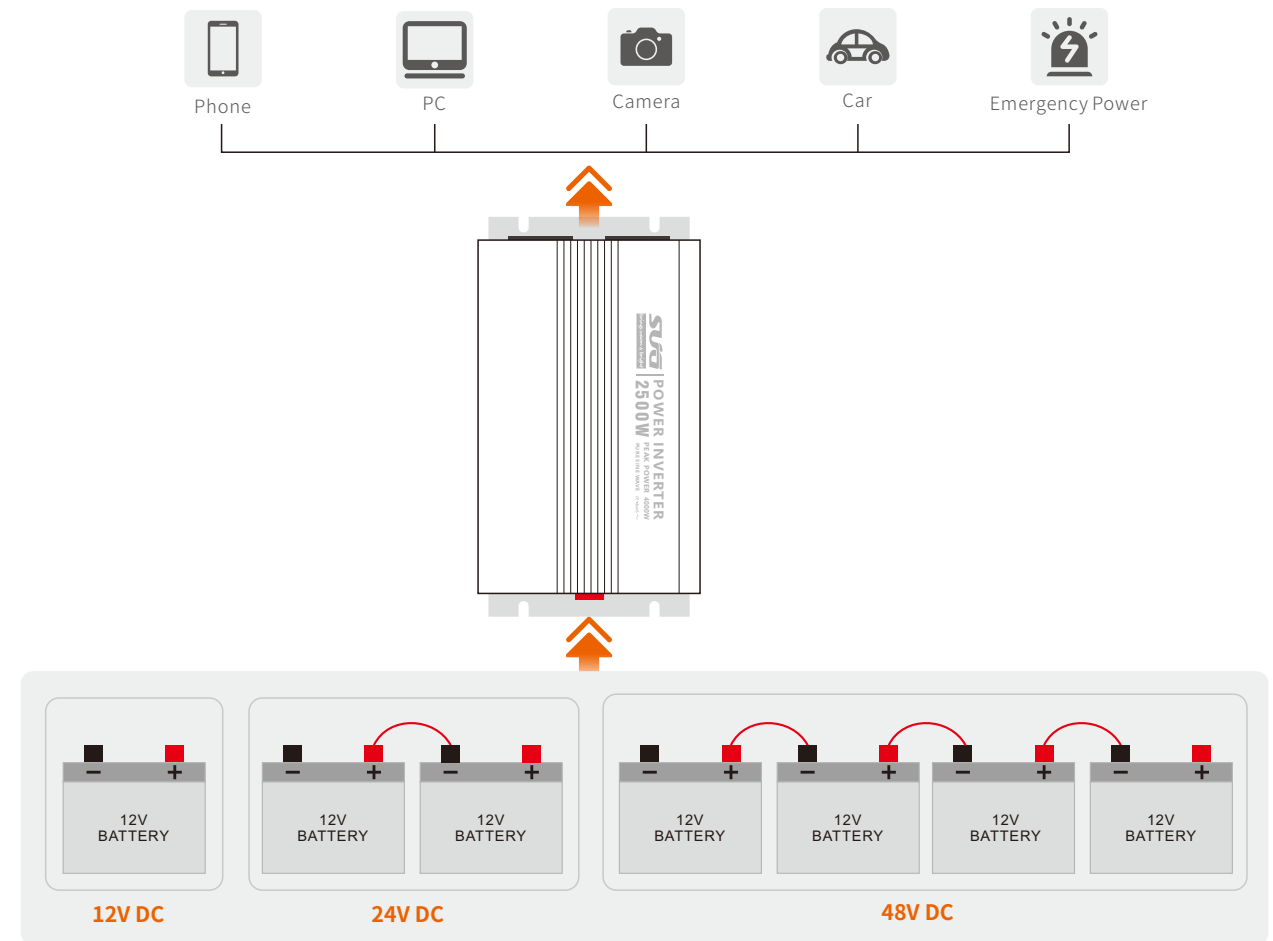


Installation Dimensions



Battery Connection Diagram

- ※ Can connect 12V/24V/48V gel acid battery/lithium battery
- ※ Pay attention to reverse connection



Packaging Accessories



SGPE Series Pure Sine Wave Inverter

3000W



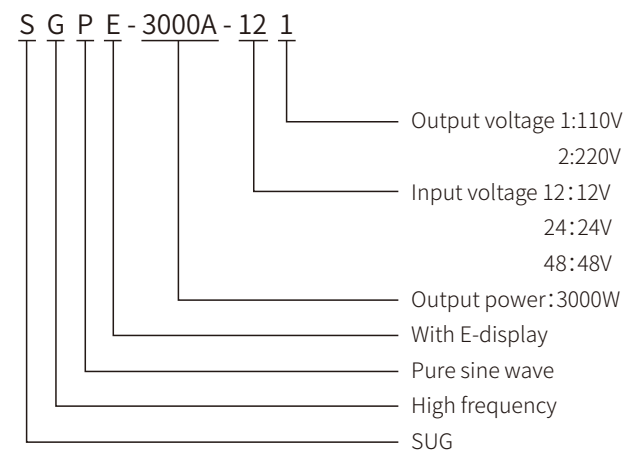
Product Introduction

SGPE is high frequency pure sine wave inverter with E-display, original imported chip and MOSFET, dual ball temp controlled fans, visible data to realize smart, reliable, low noise, high quality output. We design and produce pure copper transformer, inductor by ourselves and meet all customer's demands. It can run all kinds of load stably and the pure sine wave form is better than electricity. At the same time, input and output lines are designed to be completely isolated to protect the system more safer.

Customization/optional Parts

- Input voltage customization: 36V/60V/72V/96V/110V
- Frequency switch 50Hz/60Hz
- RS485
- 40°C-60°C working temp
- E-Display
- Wireless WiFi/Wire remote switch

Model Meaning



Technical Parameter

Model	SGPE-3000A-121	SGPE-3000A-122	SGPE-3000A-241	SGPE-3000A-242	SGPE-3000A-481	SGPE-3000A-482
Rated Power	3000W					
Surge Power	6000W(Few seconds)					
Input Voltage	12VDC		24VDC		48VDC	
Output Voltage	110VAC±5%	220VAC±5%	110VAC±5%	220VAC±5%	110VAC±5%	220VAC±5%
USB Port	5V 2.4A					
Frequency	50Hz±0.5 or 60Hz±0.5					
Output Waveform	Pure Sine Wave					
Soft Start	YES					
AC Regulation	THD<3%(Linear Load)					
Output Efficiency	94% Max					
DC Voltage Range	10-15.5V		20-31V		40-61V	
Low Voltage Alarm	10.5±0.5V		21±0.5V		42±1V	
Low Voltage Shut Down	10±0.5V		20±0.5V		40±1V	
Low Voltage Recovery	13±0.5V		24±0.5V		48±1V	
Over Voltage Shut Down	15.5±0.5V		31±0.5V		61±1V	
Over Voltage Recovery	14.8±0.5V		29±0.5V		59±1V	
Cooling Way	Intelligent Cooling Fan					
Working Temperature	-10°C - +50°C					
Net Dimension	49.5*19.9*8.4cm (L×W×H)					
Inner Box Dimension	60.8*26*14.7cm (L×W×H)					
Meas./Ctn	62.5*53*29.5cm/4pcs					
N.W./Unit	6.1kg					
G.W./Ctn	30.44kgs					
Packing	Carton					
Warranty	2 Years					

Note: Low voltage and over voltage can customized by lithium battery

E Model Display

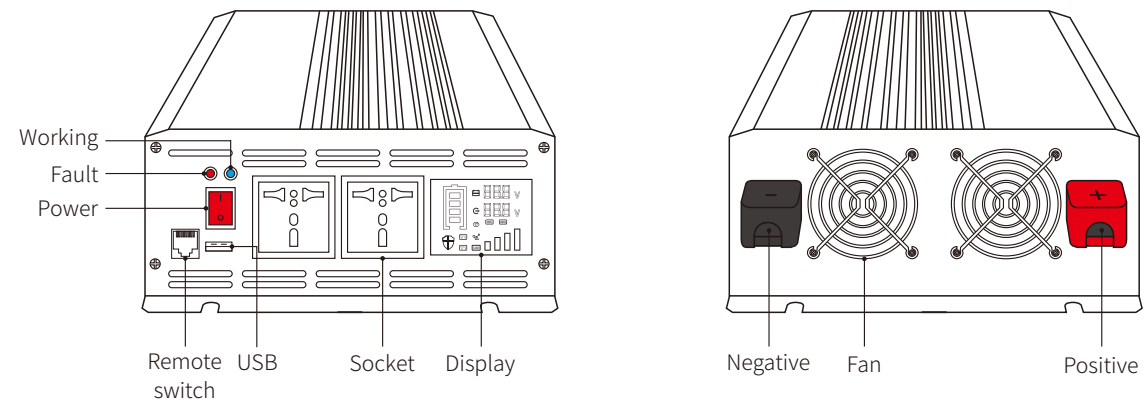
- Power On
- Battery Connected
- Battery Level
- Battery Voltage & AC Output Voltage
- Frequency
- Output Load Percent
- Normal Working
- Under Protection
- Low Voltage Protection
- Over Voltage Protection
- Overload Protection
- Over Temperature Protection

Working Mode

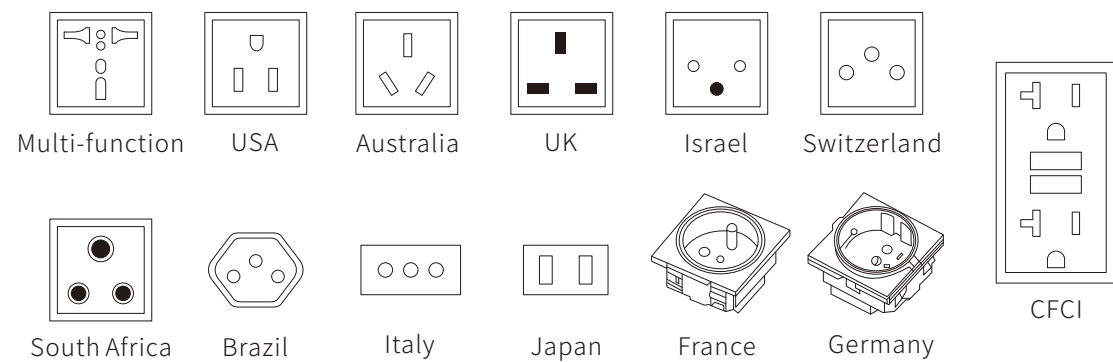
- Normal Working
- Low-volt Protection
- High-volt Protection
- Overload Protection
- High-Temp Protection

SGPE Series Pure Sine Wave Inverter

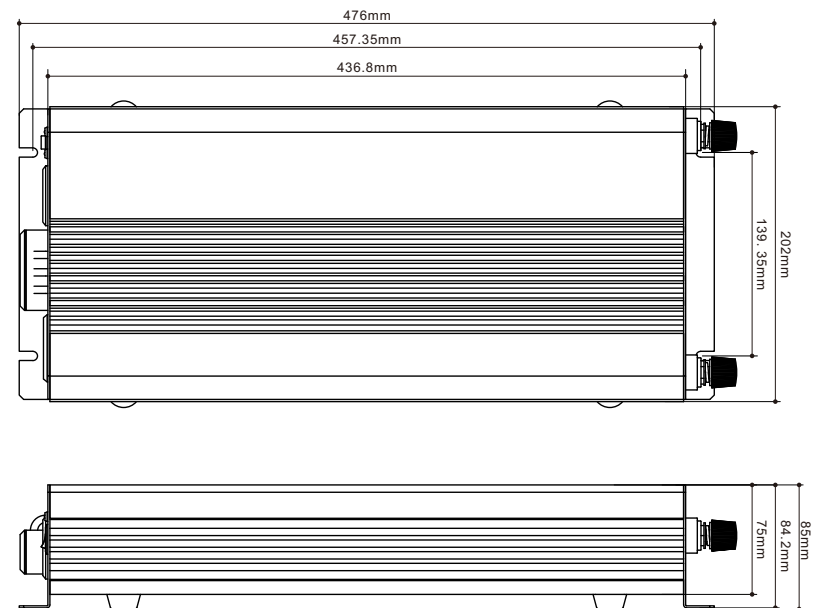
3000W



Socket Customization

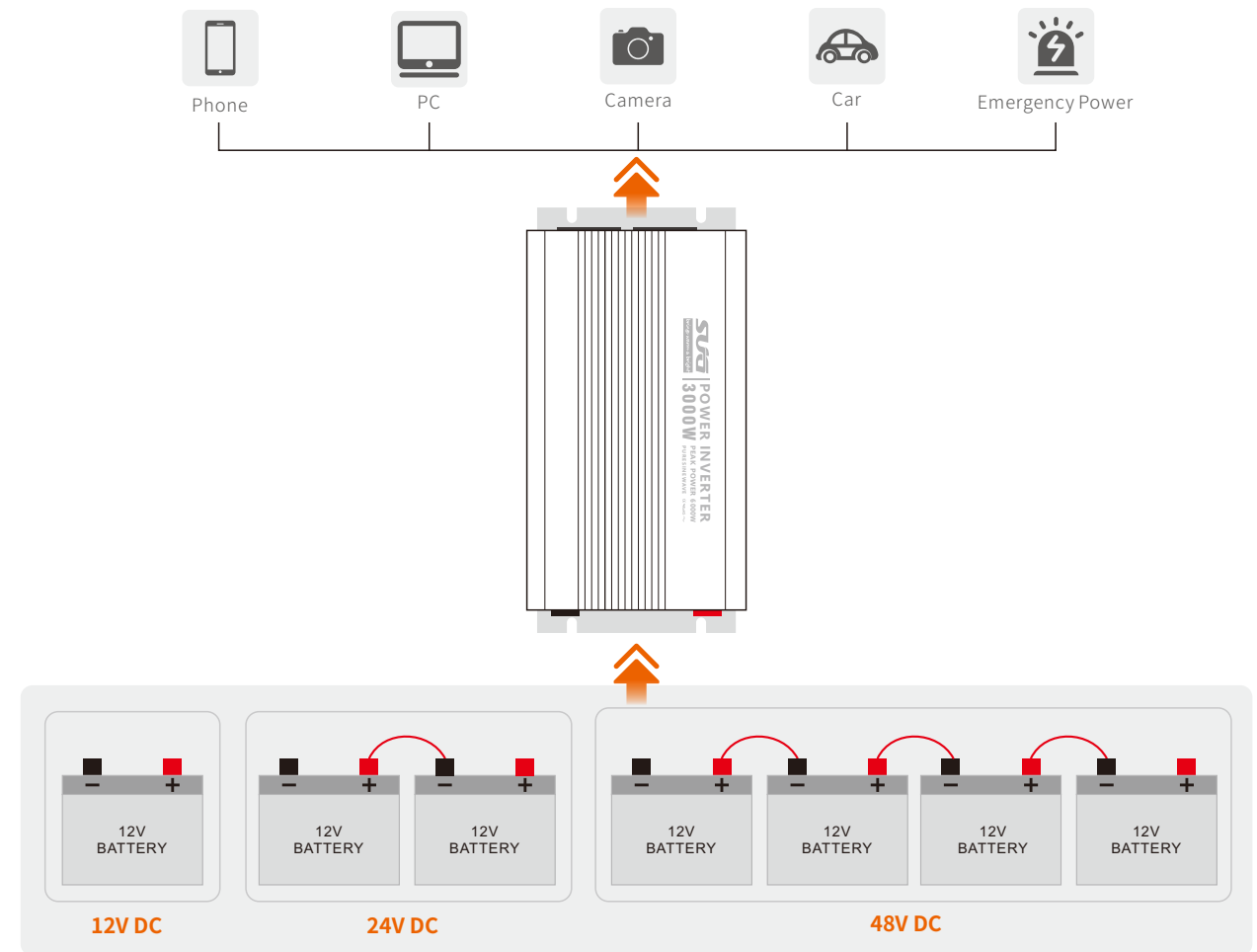


Installation Dimensions



Battery Connection Diagram

- ※ Can connect 12V/24V/48V gel acid battery/lithium battery
- ※ Pay attention to reverse connection

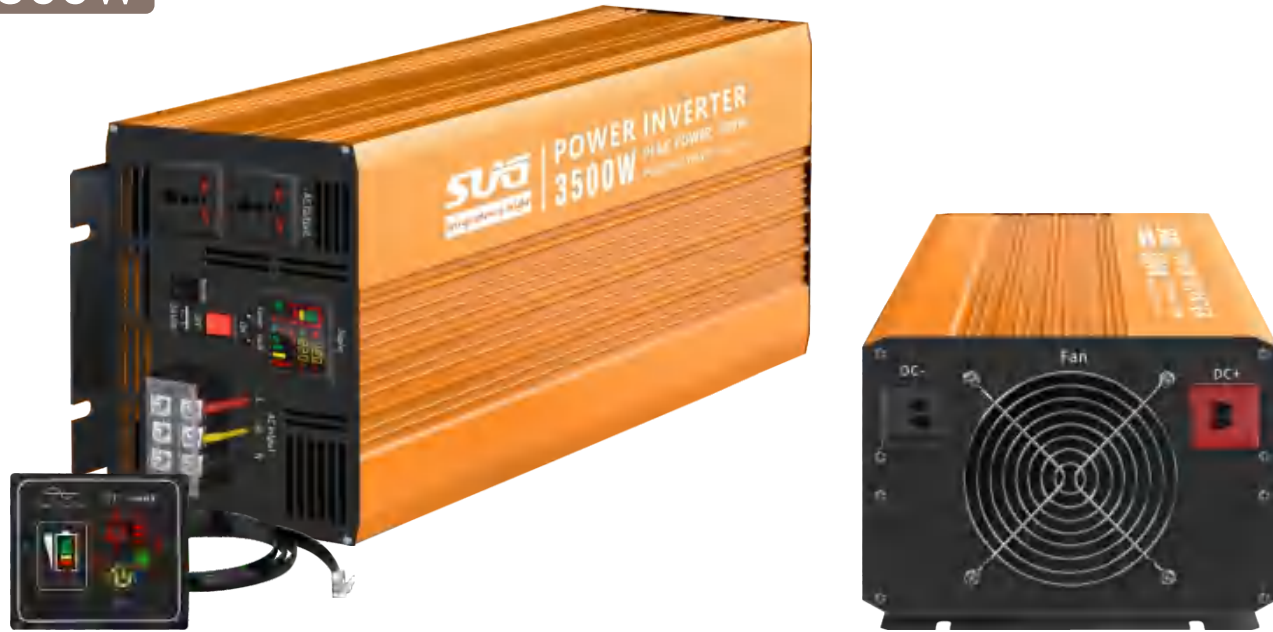


Packaging Accessories



SGPE Series Pure Sine Wave Inverter

3500W



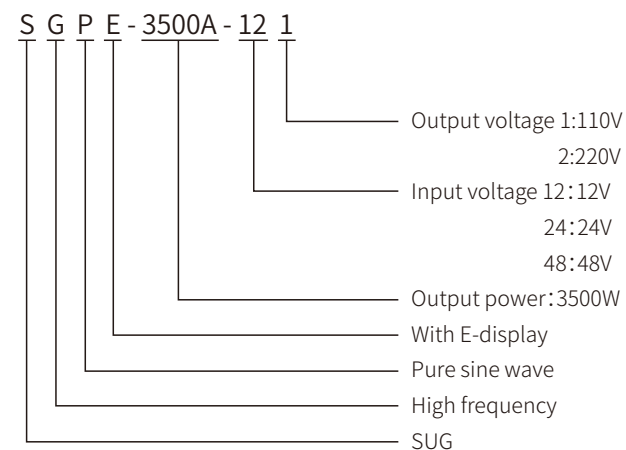
Product Introduction

SGPE is high frequency pure sine wave inverter with E-display, original imported chip and MOSFET, dual ball temp controlled fans, visible data to realize smart, reliable, low noise, high quality output. We design and produce pure copper transformer, inductor by ourselves and meet all customer's demands. It can run all kinds of load stably and the pure sine wave form is better than electricity. At the same time, input and output lines are designed to be completely isolated to protect the system more safer.

Customization/optional Parts

- Input voltage customization: 36V/60V/72V/96V/110V
- Frequency switch 50Hz/60Hz
- RS485
- 40°C-60°C working temp
- E-Display
- Wireless WiFi/Wire remote switch

Model Meaning



Technical Parameter

Model	SGPE-3500A-121	SGPE-3500A-122	SGPE-3500A-241	SGPE-3500A-242	SGPE-3500A-481	SGPE-3500A-482
Rated Power	3500W					
Surge Power	7000W(Few seconds)					
Input Voltage	12VDC		24VDC		48VDC	
Output Voltage	110VAC±5%	220VAC±5%	110VAC±5%	220VAC±5%	110VAC±5%	220VAC±5%
USB Port	5V 2.4A					
Frequency	50Hz±0.5 or 60Hz±0.5					
Output Waveform	Pure Sine Wave					
Soft Start	YES					
AC Regulation	THD<3%(Linear Load)					
Output Efficiency	94% Max					
DC Voltage Range	10-15.5V		20-31V		40-61V	
Low Voltage Alarm	10.5±0.5V		21±0.5V		42±1V	
Low Voltage Shut Down	10±0.5V		20±0.5V		40±1V	
Low Voltage Recovery	13±0.5V		24±0.5V		48±1V	
Over Voltage Shut Down	15.5±0.5V		31±0.5V		61±1V	
Over Voltage Recovery	14.8±0.5V		29±0.5V		59±1V	
Cooling Way	Intelligent Cooling Fan					
Working Temperature	-10°C - +50°C					
Net Dimension	44*20*15cm (L×W×H)					
Meas./Ctn	56.5*30.8*24cm/1pcs					
N.W./Unit	8.92kg					
G.W./Ctn	10.7kgs					
Packing	Carton					
Warranty	2 Years					

Note: Low voltage and over voltage can customized by lithium battery

E Model Display

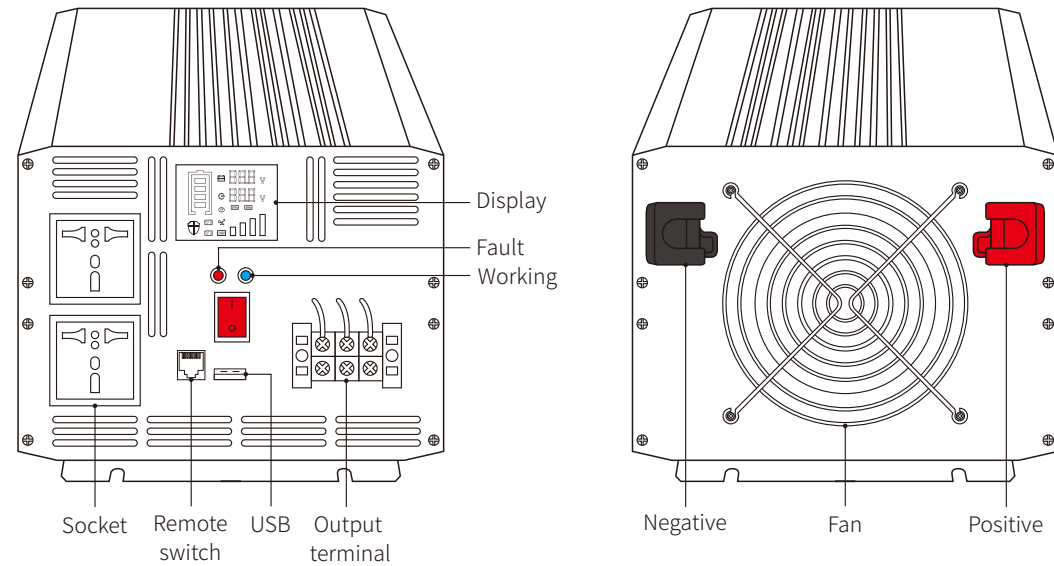
- Power On
- Battery Connected
- Battery Level
- Battery Voltage & AC Output Voltage
- Frequency
- Output Load Percent
- Normal Working
- Under Protection
- Low Voltage Protection
- Over Voltage Protection
- Overload Protection
- Over Temperature Protection

Working Mode

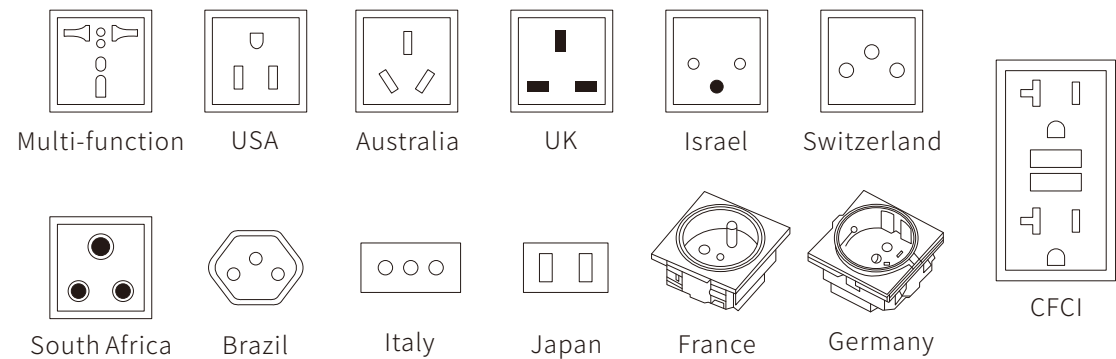
- Normal Working
- Low-volt Protection
- High-volt Protection
- Overload Protection
- High-Temp Protection

SGPE Series Pure Sine Wave Inverter

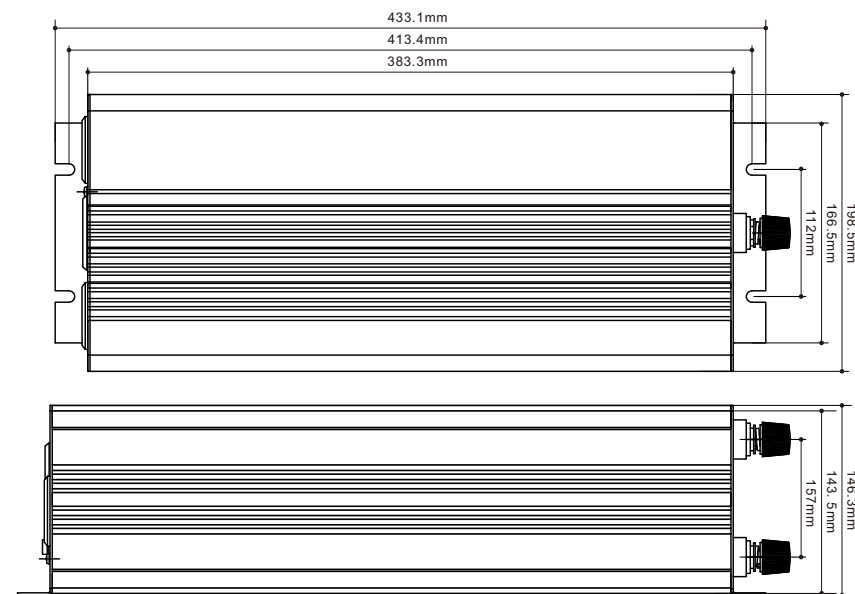
3500W



Socket Customization

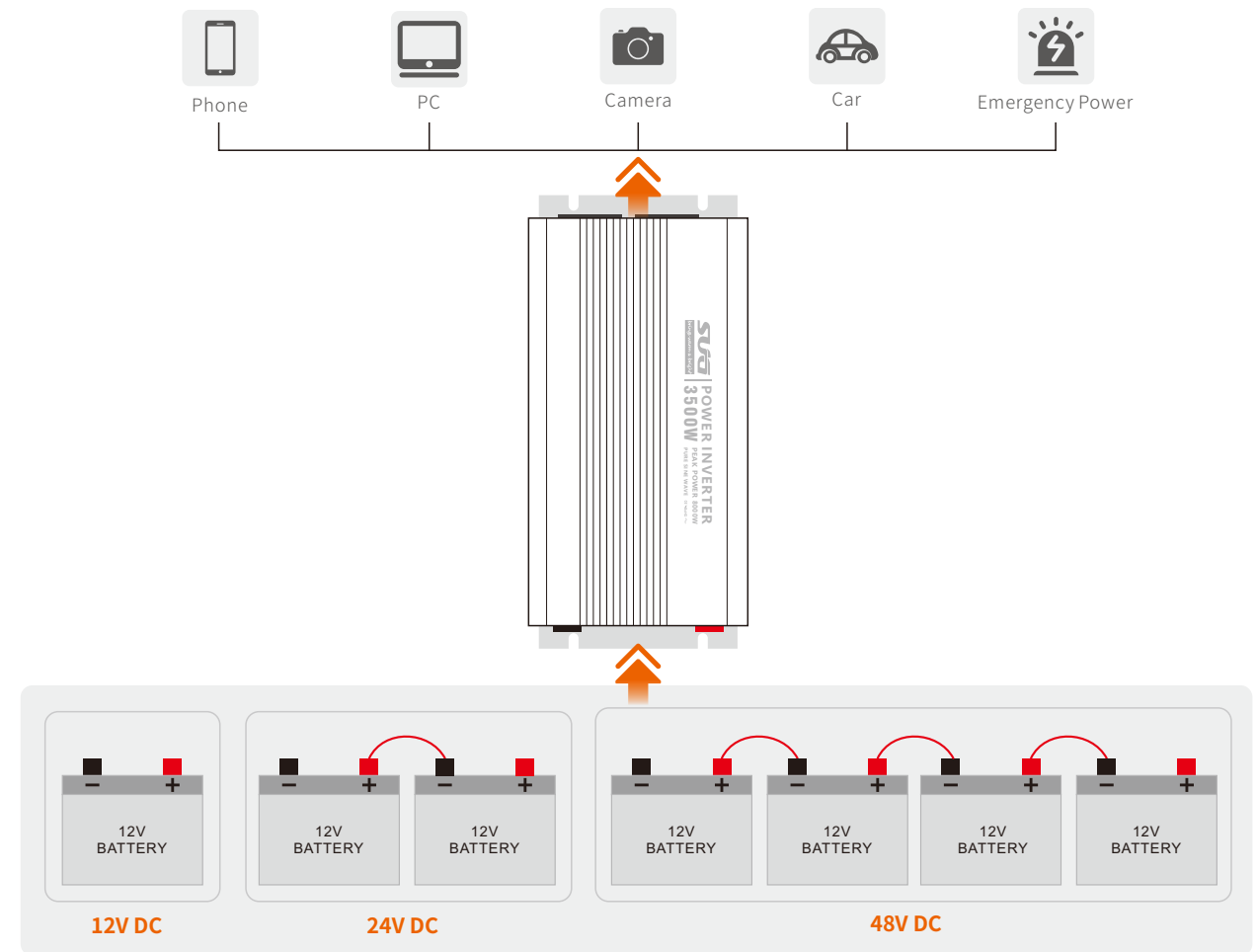


Installation Dimensions



Battery Connection Diagram

- ※ Can connect 12V/24V/48V gel acid battery/lithium battery
- ※ Pay attention to reverse connection



Packaging Accessories



SGPE Series Pure Sine Wave Inverter

4000W



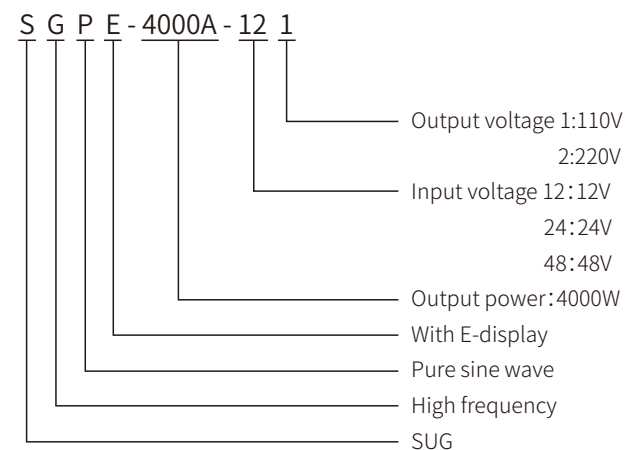
Product Introduction

SGPE is high frequency pure sine wave inverter with E-display, original imported chip and MOSFET, dual ball temp controlled fans, visible data to realize smart, reliable, low noise, high quality output. We design and produce pure copper transformer, inductor by ourselves and meet all customer's demands. It can run all kinds of load stably and the pure sine wave form is better than electricity. At the same time, input and output lines are designed to be completely isolated to protect the system more safer.

Customization/optional Parts

- Input voltage customization: 36V/60V/72V/96V/110V
- Frequency switch 50Hz/60Hz
- RS485
- 40°C-60°C working temp
- E-Display
- Wireless WiFi/Wire remote switch

Model Meaning



Technical Parameter

Model	SGPE-4000A-121	SGPE-4000A-122	SGPE-4000A-241	SGPE-4000A-242	SGPE-4000A-481	SGPE-4000A-482
Rated Power	4000W					
Surge Power	8000W(Few seconds)					
Input Voltage	12VDC		24VDC		48VDC	
Output Voltage	110VAC±5%	220VAC±5%	110VAC±5%	220VAC±5%	110VAC±5%	220VAC±5%
USB Port	5V 2.4A					
Frequency	50Hz±0.5 or 60Hz±0.5					
Output Waveform	Pure Sine Wave					
Soft Start	YES					
AC Regulation	THD<3%(Linear Load)					
Output Efficiency	94% Max					
DC Voltage Range	10-15.5V		20-31V		40-61V	
Low Voltage Alarm	10.5±0.5V		21±0.5V		42±1V	
Low Voltage Shut Down	10±0.5V		20±0.5V		40±1V	
Low Voltage Recovery	13±0.5V		24±0.5V		48±1V	
Over Voltage Shut Down	15.5±0.5V		31±0.5V		61±1V	
Over Voltage Recovery	14.8±0.5V		29±0.5V		59±1V	
Cooling Way	Intelligent Cooling Fan					
Working Temperature	-10°C - +50°C					
Net Dimension	44*20*15cm (L×W×H)					
Meas./Ctn	63.5*30.8*24cm /1pcs					
N.W./Unit	9.04kg					
G.W./Ctn	10.84kgs					
Packing	Carton					
Warranty	2 Years					

Note: Low voltage and over voltage can customized by lithium battery

E Model Display

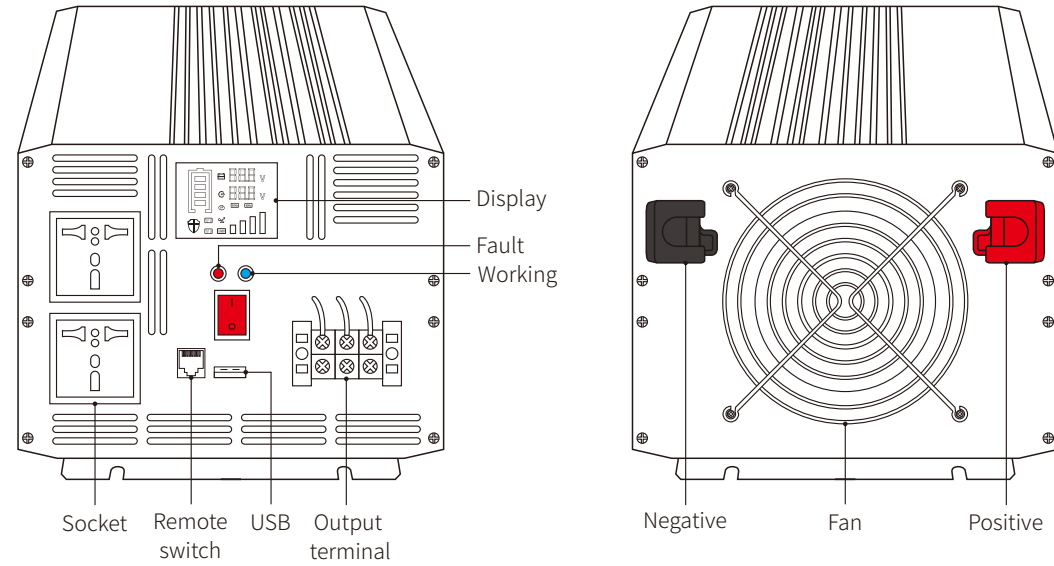
- Power On
- Battery Connected
- Battery Level
- Battery Voltage & AC Output Voltage
- Frequency
- Output Load Percent
- Normal Working
- Under Protection
- Low Voltage Protection
- Over Voltage Protection
- Overload Protection
- Over Temperature Protection

Working Mode

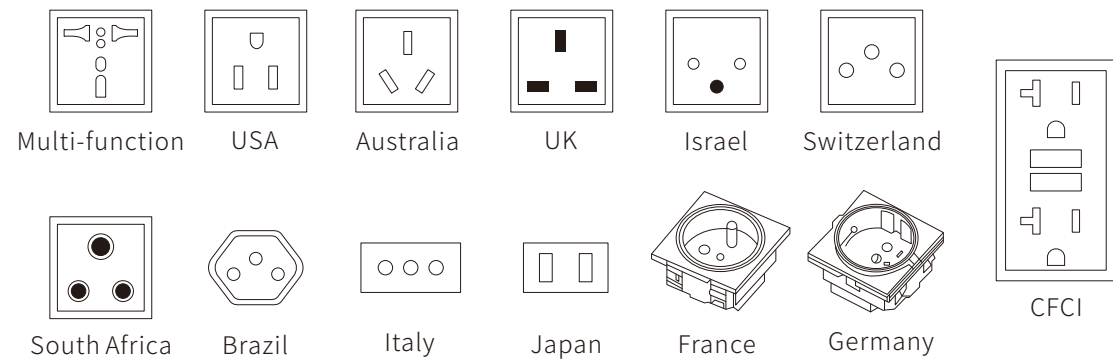
- Normal Working
- Low-volt Protection
- High-volt Protection
- Overload Protection
- High-Temp Protection

SGPE Series Pure Sine Wave Inverter

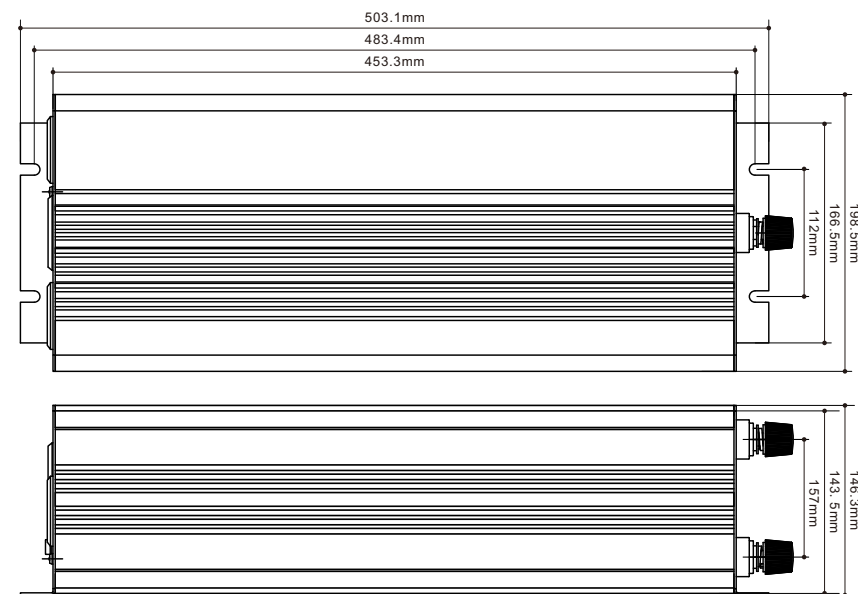
4000W



Socket Customization

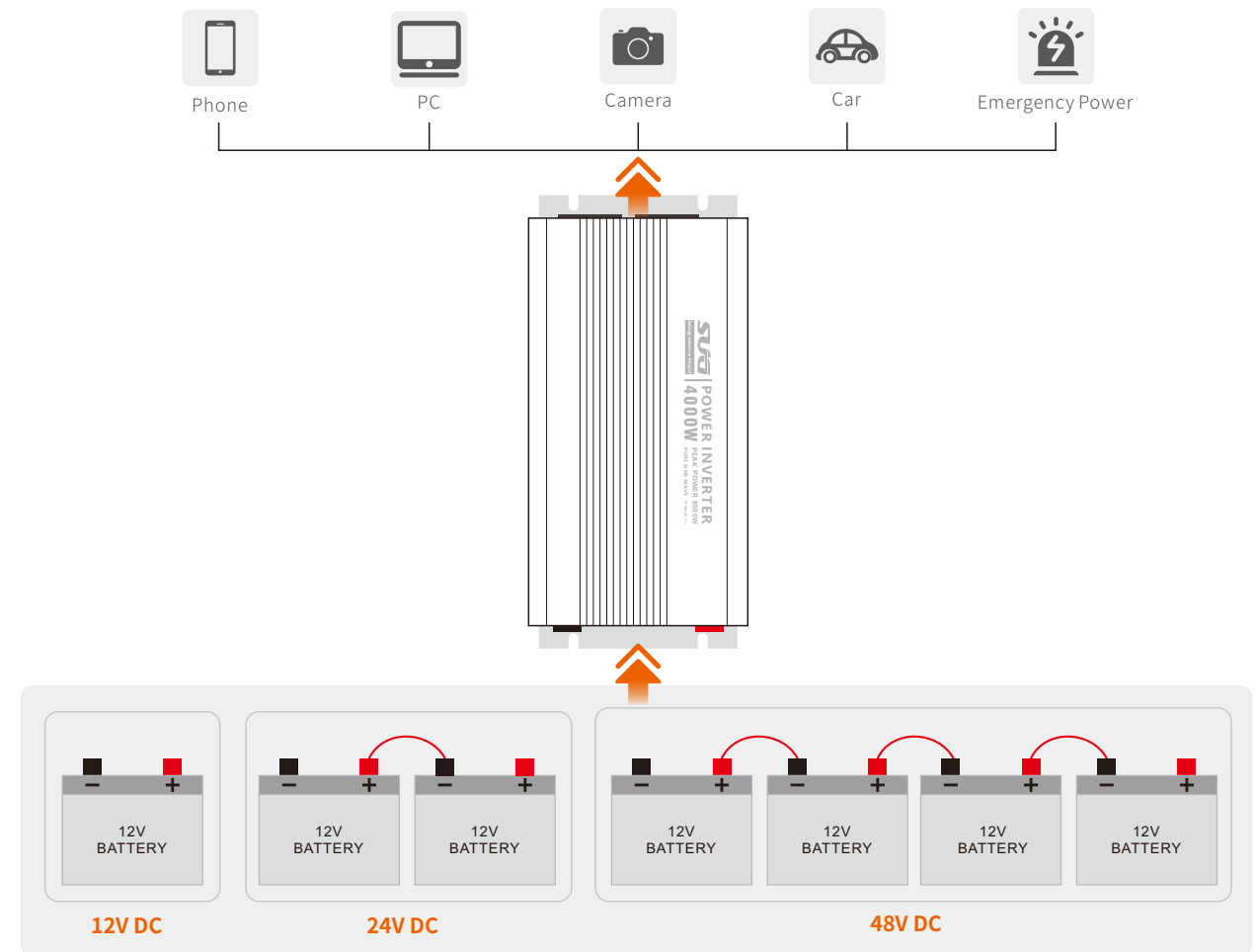


Installation Dimensions



Battery Connection Diagram

- ※ Can connect 12V/24V/48V gel acid battery/lithium battery
- ※ Pay attention to reverse connection



Packaging Accessories



SGPE Series Pure Sine Wave Inverter

5000W



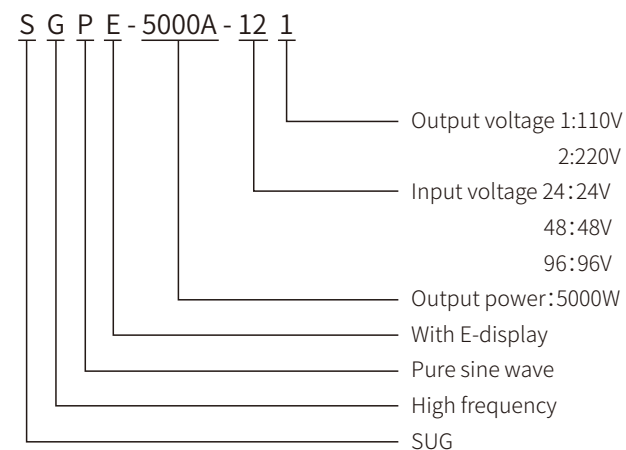
Product Introduction

SGPE is high frequency pure sine wave inverter with E-display, original imported chip and MOSFET, dual ball temp controlled fans, visible data to realize smart, reliable, low noise, high quality output. We design and produce pure copper transformer, inductor by ourselves and meet all customer's demands. It can run all kinds of load stably and the pure sine wave form is better than electricity. At the same time, input and output lines are designed to be completely isolated to protect the system more safer.

Customization/optional Parts

- Input voltage customization: 36V/60V/72V/96V/110V
- E-Display
- Frequency switch 50Hz/60Hz
- Wireless WiFi/Wire remote switch
- RS485
- 40°C-60°C working temp

Model Meaning



Technical Parameter

Model	SGPE-5000A-121	SGPE-5000A-122	SGPE-5000A-241	SGPE-5000A-242	SGPE-5000A-481	SGPE-5000A-482
Rated Power	5000W					
Surge Power	10000W(Few seconds)					
Input Voltage	24VDC		48VDC		96VDC	
Output Voltage	110VAC±5%	220VAC±5%	110VAC±5%	220VAC±5%	110VAC±5%	220VAC±5%
USB Port	5V 2.4A					
Frequency	50Hz±0.5 or 60Hz±0.5					
Output Waveform	Pure Sine Wave					
Soft Start	YES					
AC Regulation	THD<3%(Linear Load)					
Output Efficiency	94% Max					
DC Voltage Range	20-31V		40-61V		80-122V	
Low Voltage Alarm	21±0.5V		42±1V		82±2V	
Low Voltage Shut Down	20±0.5V		40±1V		80±2V	
Low Voltage Recovery	24±0.5V		48±1V		96±2V	
Over Voltage Shut Down	31±0.5V		61±1V		122±2V	
Over Voltage Recovery	29±0.5V		59±1V		118±2V	
Cooling Way	Intelligent Cooling Fan					
Working Temperature	-10°C - +50°C					
Net Dimension	51*20*15cm (L×W×H)					
Meas./Ctn	63.5*30.8*24cm/1pcs					
N.W./Unit	10.12kg					
G.W./Ctn	11.72kgs					
Packing	Carton					
Warranty	2 Years					

Note: Low voltage and over voltage can customized by lithium battery

E Model Display

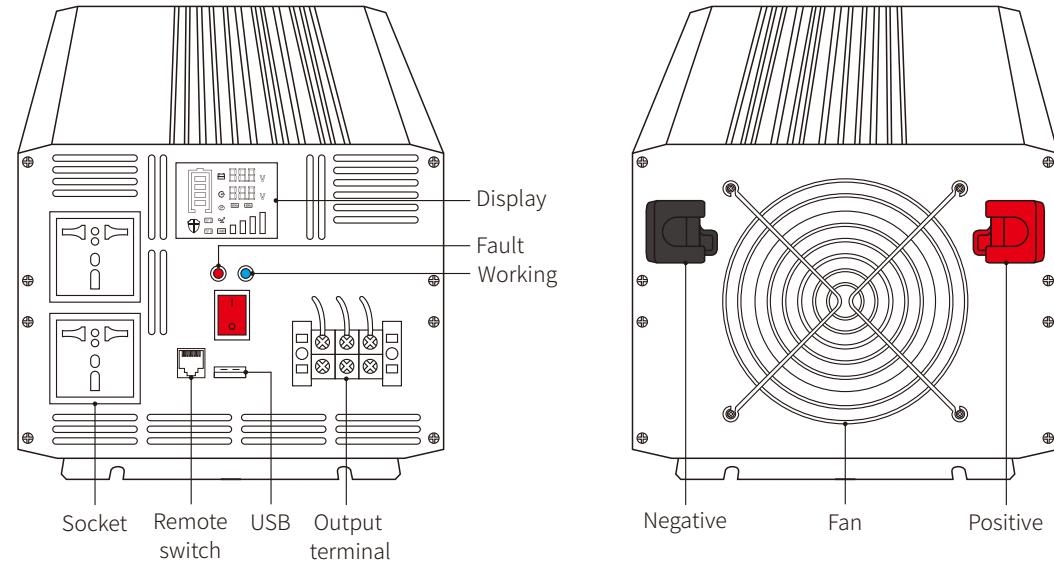
- Power On
- Battery Connected
- Battery Level
- Battery Voltage & AC Output Voltage
- Frequency
- Output Load Percent
- Normal Working
- Under Protection
- Low Voltage Protection
- Over Voltage Protection
- Overload Protection
- Over Temperature Protection

Working Mode

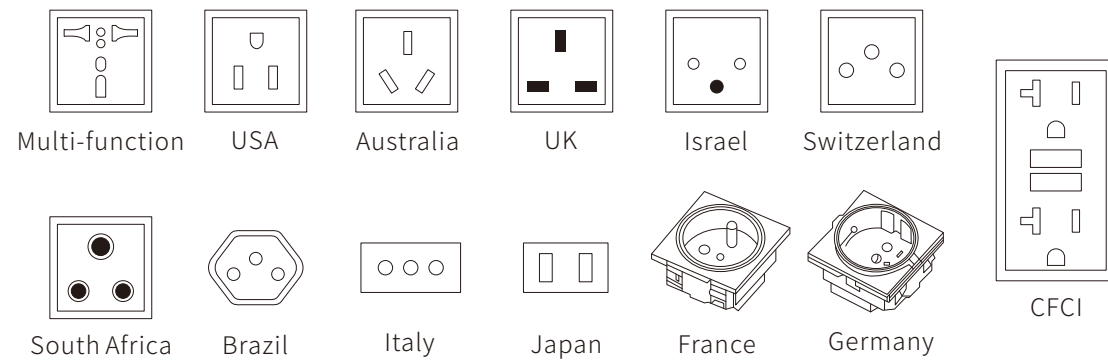
- Normal Working
- Low-volt Protection
- High-volt Protection
- Overload Protection
- High-Temp Protection

SGPE Series Pure Sine Wave Inverter

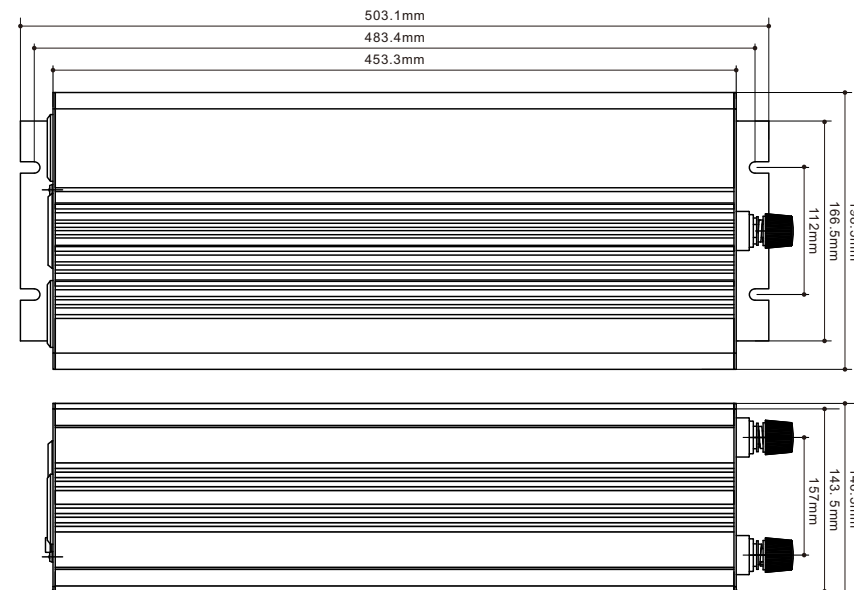
5000W



Socket Customization

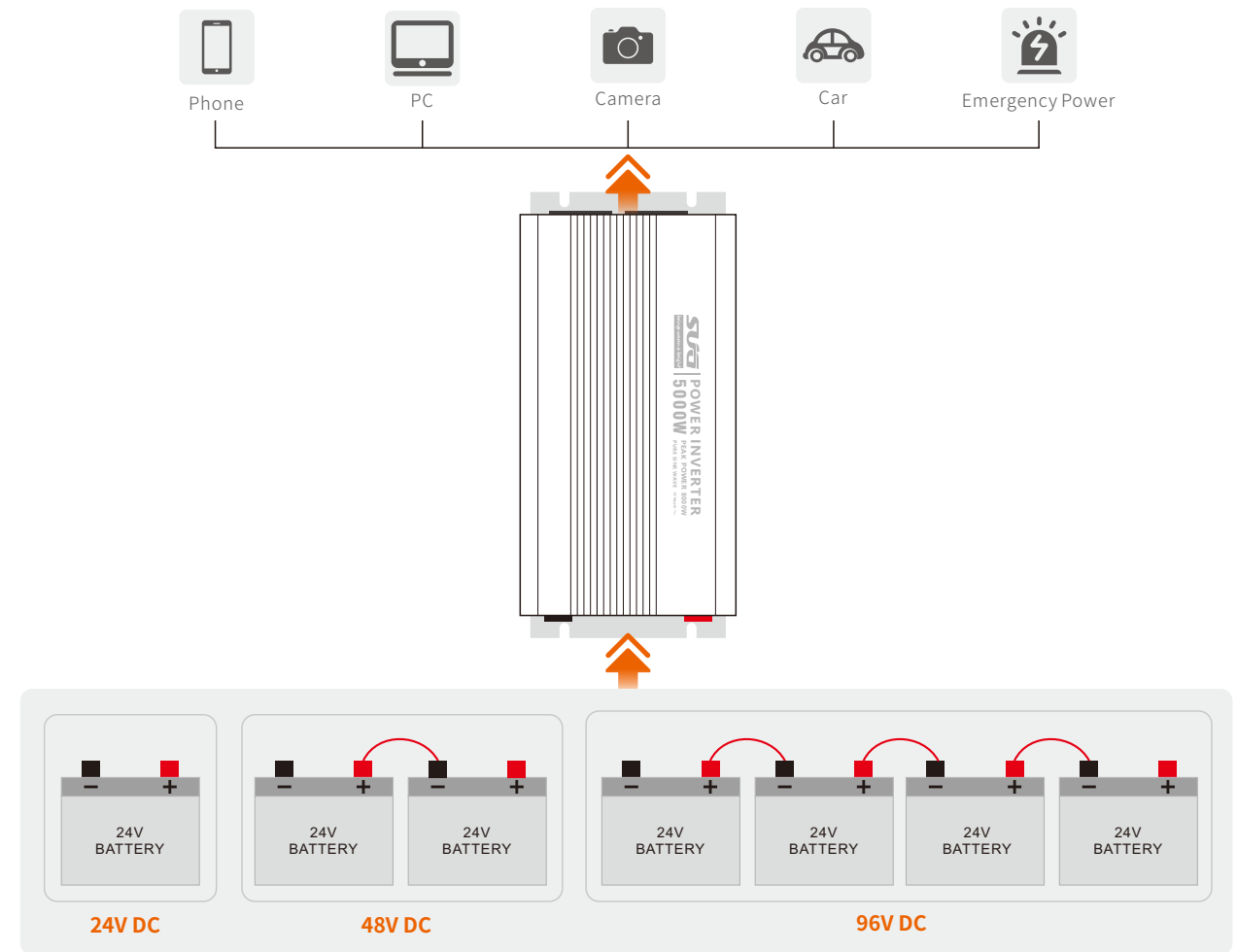


Installation Dimensions



Battery Connection Diagram

- ※ Can connect 12V/24V/48V gel acid battery/lithium battery
- ※ Pay attention to reverse connection



Packaging Accessories



SGPE Series Pure Sine Wave Inverter

6000W



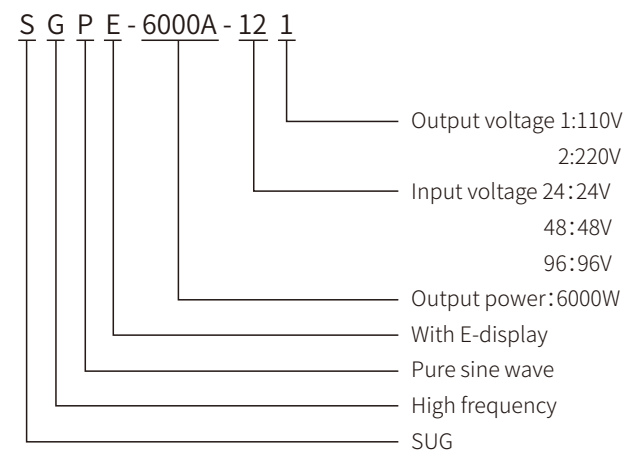
Product Introduction

SGPE is high frequency pure sine wave inverter with E-display, original imported chip and MOSFET, dual ball temp controlled fans, visible data to realize smart, reliable, low noise, high quality output. We design and produce pure copper transformer, inductor by ourselves and meet all customer's demands. It can run all kinds of load stably and the pure sine wave form is better than electricity. At the same time, input and output lines are designed to be completely isolated to protect the system more safer.

Customization/optional Parts

- Input voltage customization: 36V/60V/72V/96V/110V
- Frequency switch 50Hz/60Hz
- RS485
- 40°C-60°C working temp
- E-Display
- Wireless WiFi/Wire remote switch

Model Meaning



Technical Parameter

Model	SGPE-6000A-121	SGPE-6000A-122	SGPE-6000A-241	SGPE-6000A-242	SGPE-6000A-481	SGPE-6000A-482
Rated Power	6000W					
Surge Power	12000W(Few seconds)					
Input Voltage	24VDC		48VDC		96VDC	
Output Voltage	110VAC±5%	220VAC±5%	110VAC±5%	220VAC±5%	110VAC±5%	220VAC±5%
USB Port	5V 2.4A					
Frequency	50Hz±0.5 or 60Hz±0.5					
Output Waveform	Pure Sine Wave					
Soft Start	YES					
AC Regulation	THD<3%(Linear Load)					
Output Efficiency	94% Max					
DC Voltage Range	20-31V		40-61V		80-122V	
Low Voltage Alarm	21±0.5V		42±1V		82±2V	
Low Voltage Shut Down	20±0.5V		40±1V		80±2V	
Low Voltage Recovery	24±0.5V		48±1V		96±2V	
Over Voltage Shut Down	31±0.5V		61±1V		122±2V	
Over Voltage Recovery	29±0.5V		59±1V		118±2V	
Cooling Way	Intelligent Cooling Fan					
Working Temperature	-10°C - +50°C					
Net Dimension	61*20*15cm (L×W×H)					
Meas./Ctn	73.5*30.8*24cm /1pcs					
N.W./Unit	11.62kg					
G.W./Ctn	13.44kgs					
Packing	Carton					
Warranty	2 Years					

Note: Low voltage and over voltage can customized by lithium battery

E Model Display

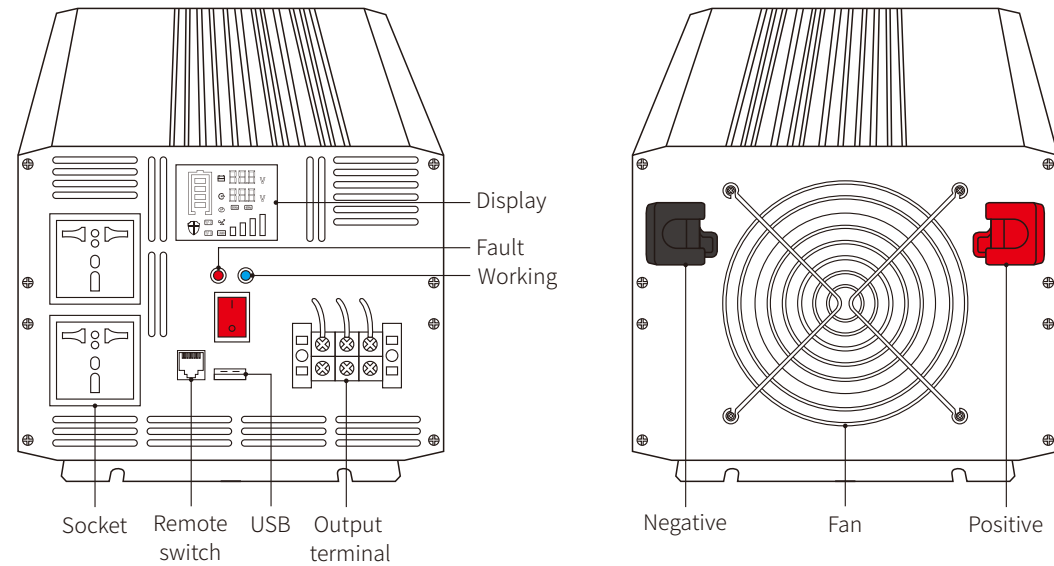
- Power On
- Battery Connected
- Battery Level
- Battery Voltage & AC Output Voltage
- Frequency
- Output Load Percent
- Normal Working
- Under Protection
- Low Voltage Protection
- Over Voltage Protection
- Overload Protection
- Over Temperature Protection

Working Mode

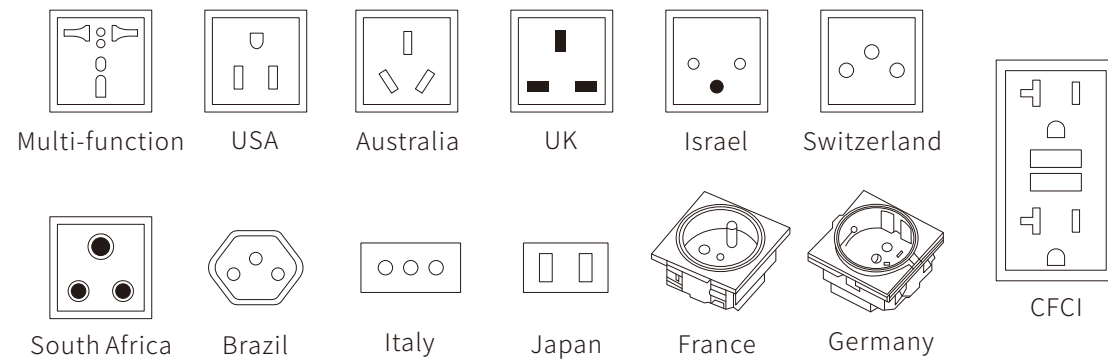
- Normal Working
- Low-volt Protection
- High-volt Protection
- Overload Protection
- High-Temp Protection

SGPE Series Pure Sine Wave Inverter

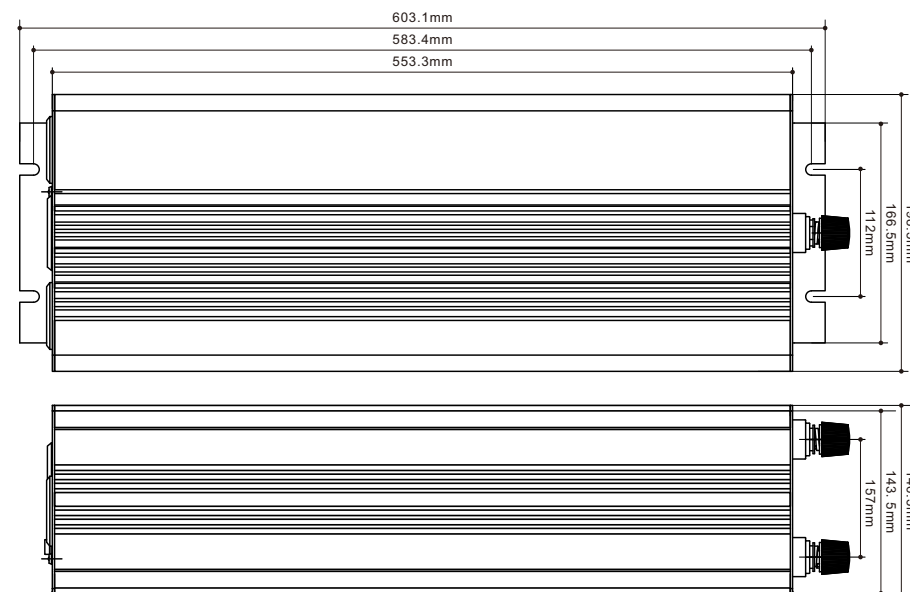
6000W



Socket Customization

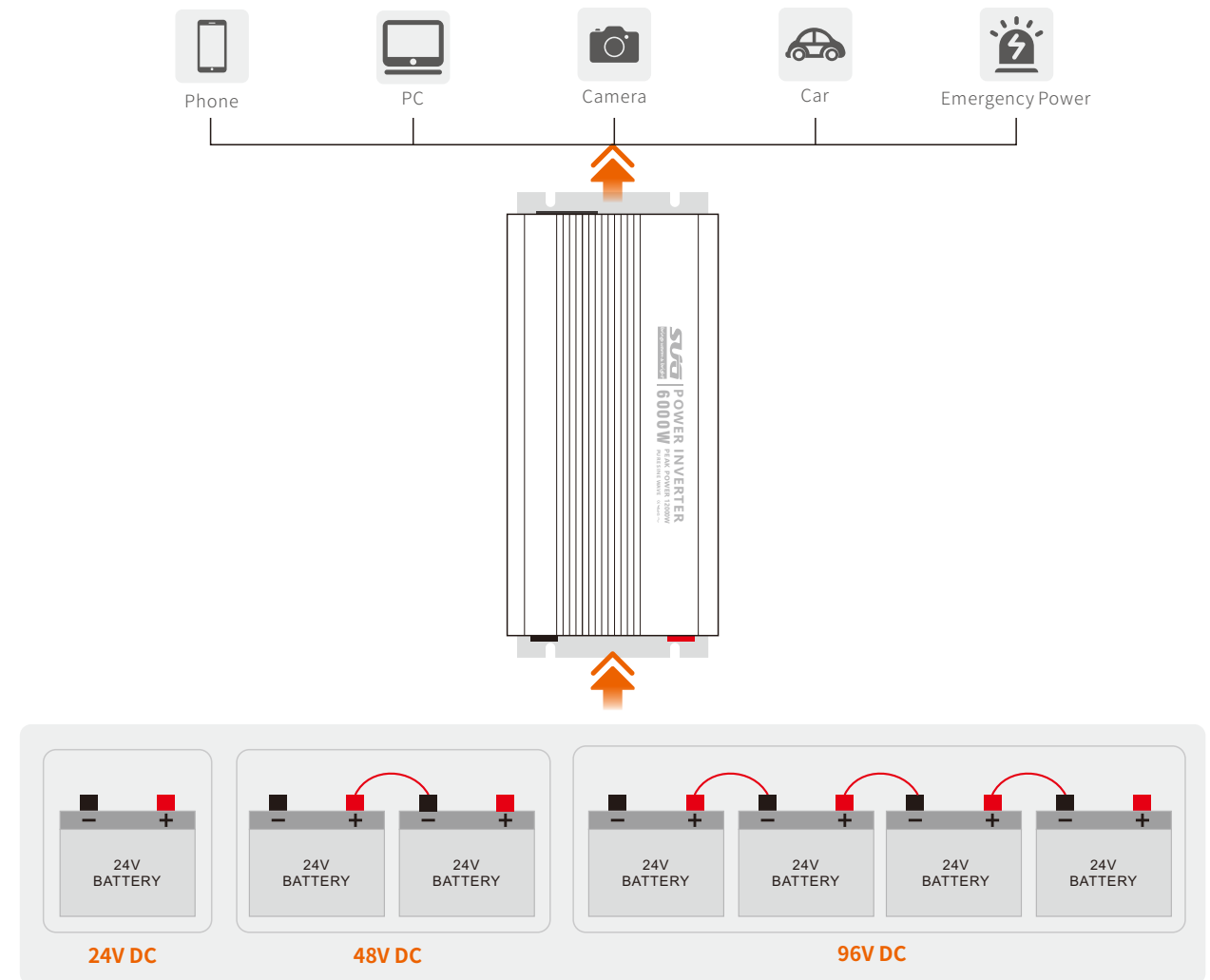


Installation Dimensions



Battery Connection Diagram

- ※ Can connect 12V/24V/48V gel acid battery/lithium battery
- ※ Pay attention to reverse connection



Packaging Accessories



SGPE Series Pure Sine Wave Inverter

8000W



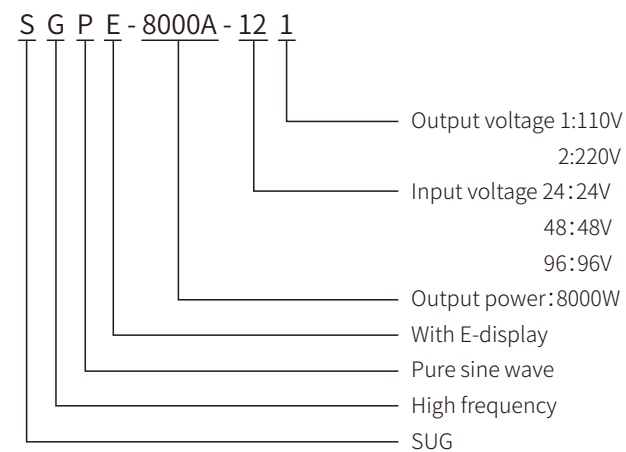
Product Introduction

SGPE is high frequency pure sine wave inverter with E-display, original imported chip and MOSFET, dual ball temp controlled fans, visible data to realize smart, reliable, low noise, high quality output. We design and produce pure copper transformer, inductor by ourselves and meet all customer's demands. It can run all kinds of load stably and the pure sine wave form is better than electricity. At the same time, input and output lines are designed to be completely isolated to protect the system more safer.

Customization/optional Parts

- Input voltage customization: 36V/60V/72V/96V/110V
- Frequency switch 50Hz/60Hz
- RS485
- 40°C-60°C working temp
- E-Display
- Wireless WiFi/Wire remote switch

Model Meaning



Technical Parameter

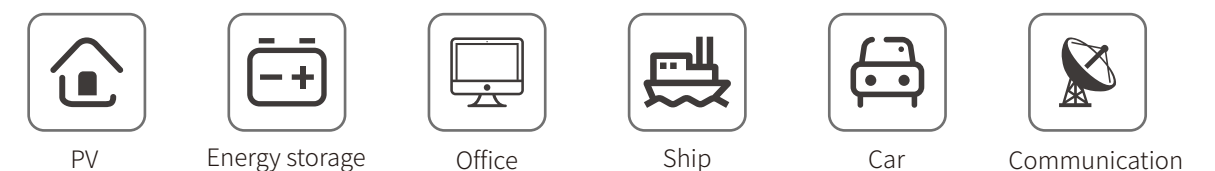
Model	SGPE-8000A-241	SGPE-8000A-242	SGPE-8000A-481	SGPE-8000A-482	SGPE-8000A-961	SGPE-8000A-962
Rated Power	8000W					
Surge Power	16000W(Few seconds)					
Input Voltage	24VDC		48VDC		96VDC	
Output Voltage	110VAC±5%	220VAC±5%	110VAC±5%	220VAC±5%	110VAC±5%	220VAC±5%
USB Port	5V 2.4A					
Frequency	50Hz±0.5 or 60Hz±0.5					
Output Waveform	Pure Sine Wave					
Soft Start	YES					
AC Regulation	THD<3%(Linear Load)					
Output Efficiency	94% Max					
DC Voltage Range	20-31V		40-61V		80-122V	
Low Voltage Alarm	21±0.5V		42±1V		82±2V	
Low Voltage Shut Down	20±0.5V		40±1V		80±2V	
Low Voltage Recovery	24±0.5V		48±1V		96±2V	
Over Voltage Shut Down	31±0.5V		61±1V		122±2V	
Over Voltage Recovery	29±0.5V		59±1V		118±2V	
Cooling Way	Intelligent Cooling Fan					
Working Temperature	-10°C - +50°C					
Net Dimension	61*20*15cm(L×W×H)					
Meas./Ctn	73.5*30.8*24cm /1pcs					
N.W./Unit	13.14kg					
G.W./Ctn	14.96kgs					
Packing	Carton					
Warranty	2 Years					

Note: Low voltage and over voltage can customized by lithium battery

Protection

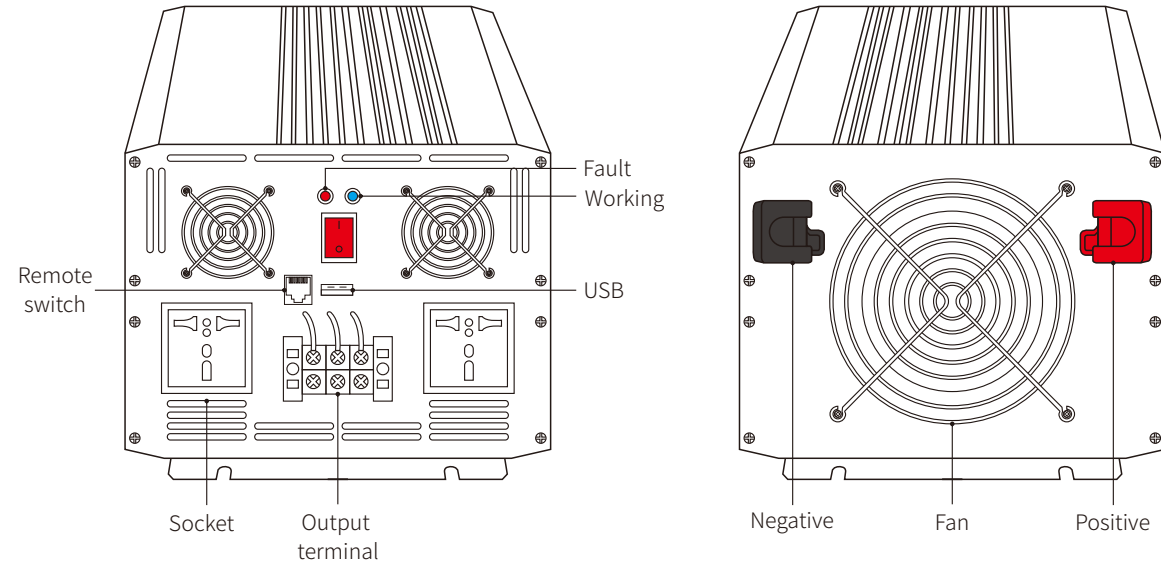


Application Area

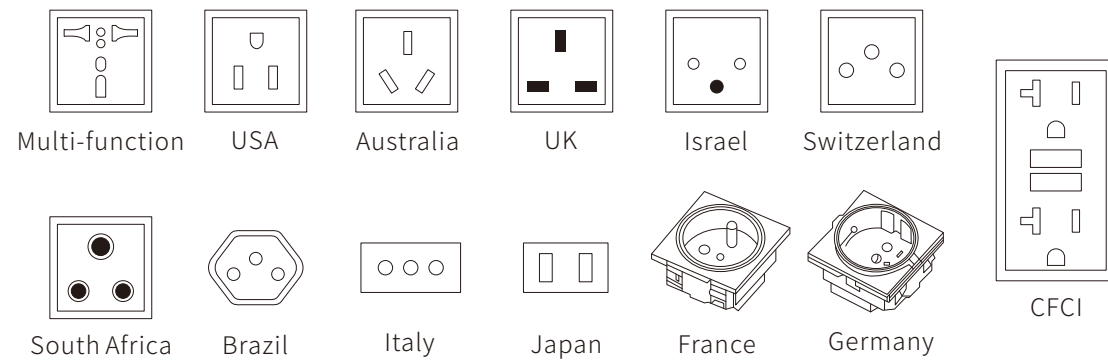


SGPE Series Pure Sine Wave Inverter

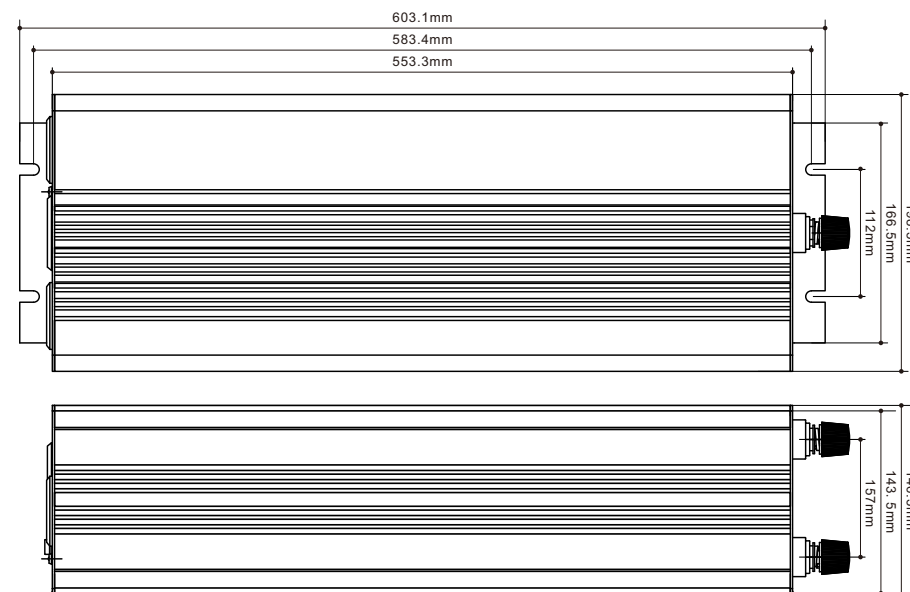
8000W



Socket Customization

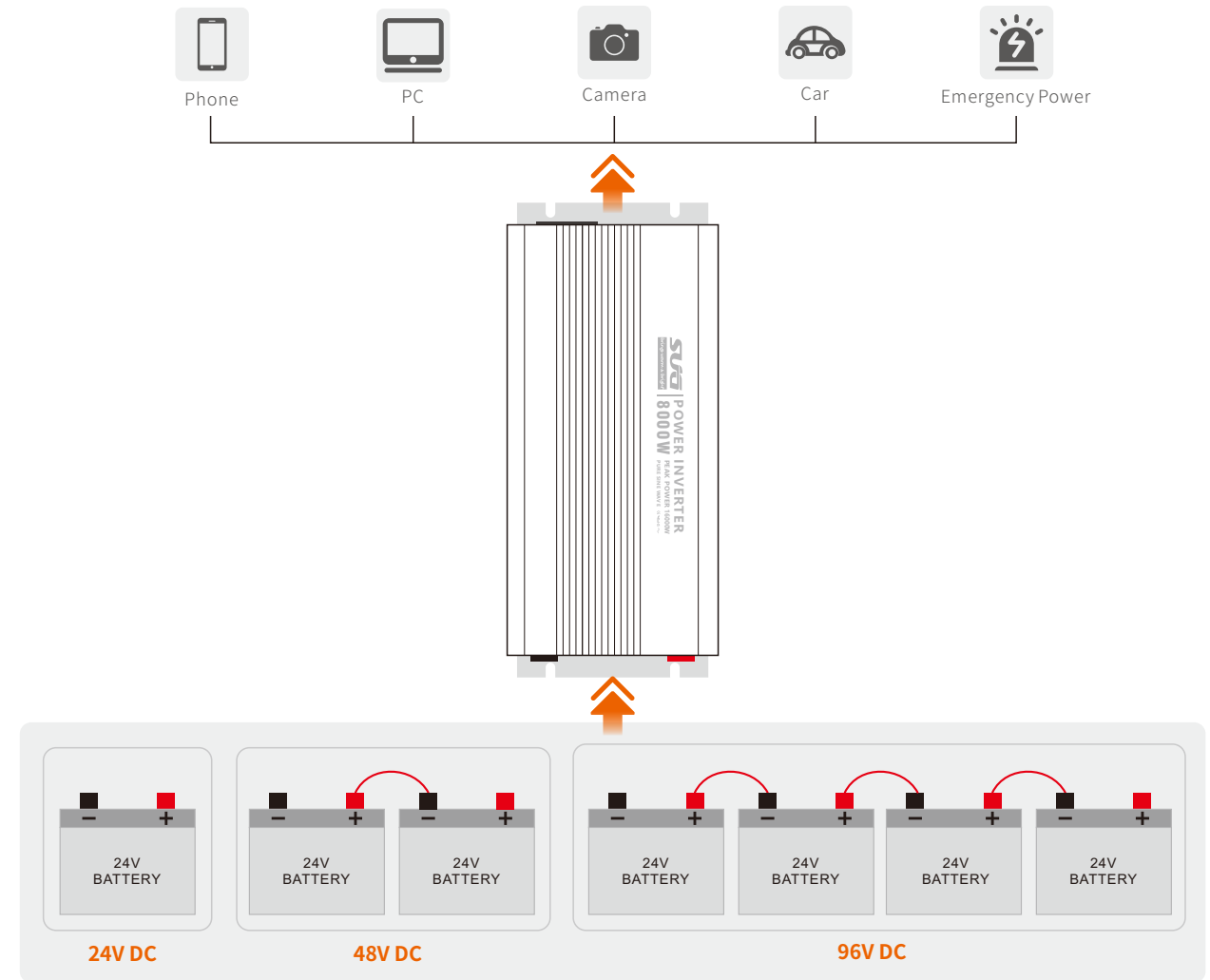


Installation Dimensions



Battery Connection Diagram

- ※ Can connect 12V/24V/48V gel acid battery/lithium battery
- ※ Pay attention to reverse connection



Packaging Accessories

